



# Installation instructions

## Alucoffre



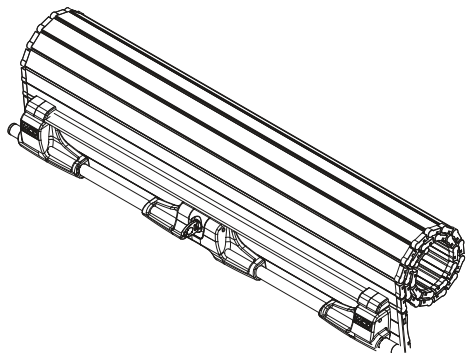
Link to  
technical sheet  
**Alucoffre**

scan me

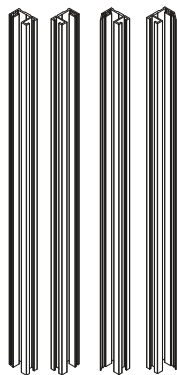


Retrouvez toutes nos solutions  
RIDEAU ALUMINIUM  
DES VEHICULES SPECIAUX  
sur [www.mcd-fr.com](http://www.mcd-fr.com)

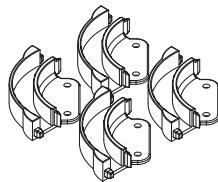
## Common contents of the parcel



An assembled shutter



2 pairs of tracks



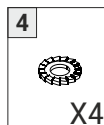
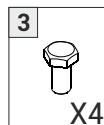
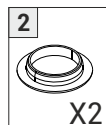
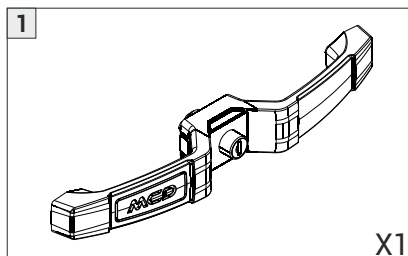
Accessories

**Common accessories contents:** 2 or 4 90° corners (+ end of compartment)

**Optional accessories contents:**

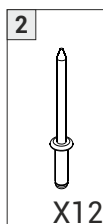
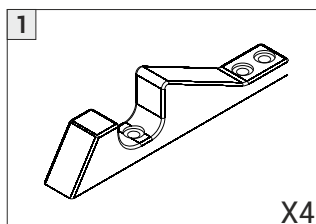
### Double handle closing system

- 1 -> Double handle
- 2 -> Caps
- 3 -> Screw TH 4X10
- 4 -> Ring Az4



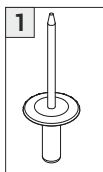
### Bar lift handle closing system

- 1 -> Blocking strikers
- 2 -> Black rivet 3.2



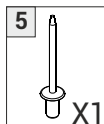
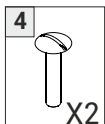
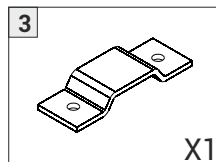
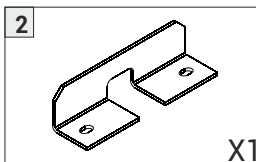
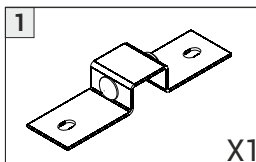
### Pull strap option

- 1 -> Rivet 4.8 x 16



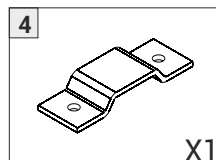
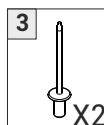
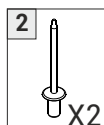
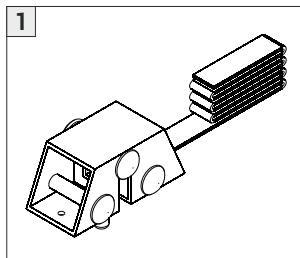
## Interior unlocking option for double handle

- 1 -> Assembled omega
- 2 -> Opening pedal
- 3 -> Deck plate
- 4 -> Vis poelier 6X30
- 5 -> Rivet 4X8



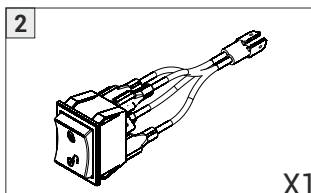
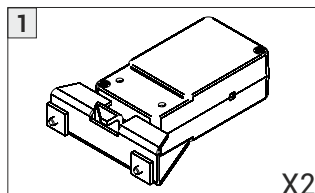
## Interior unlocking option for bar lift handle

- 1 -> Assembled option
- 2 -> Rivets 4.8X10
- 3 -> Rivets 4X8
- 4 -> Deck plate



## Electric locking system option

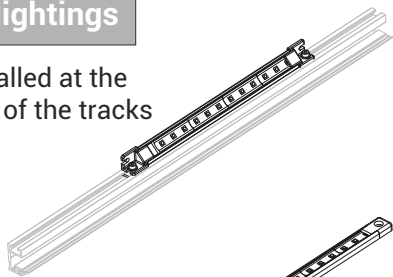
- 1 -> Electro magnet
- 2 -> Rivet 4.8X10



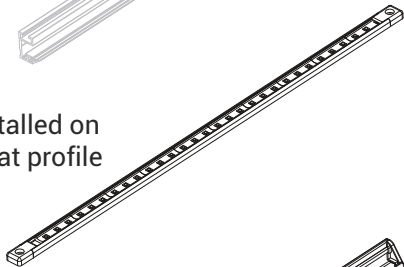
## Options

### LED lightings

Installed at the rear of the tracks



Installed on a flat profile

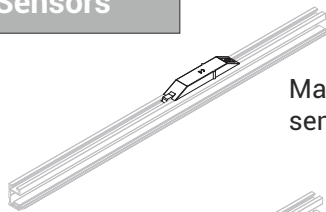


Installed on the drip channel

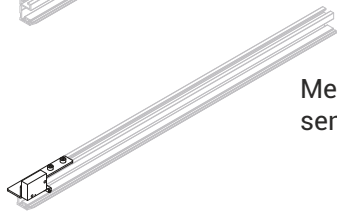


### Sensors

Magnetic sensor

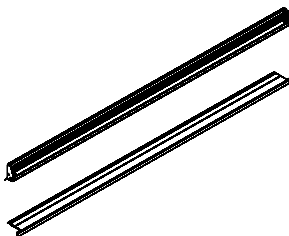


Mechanical sensor



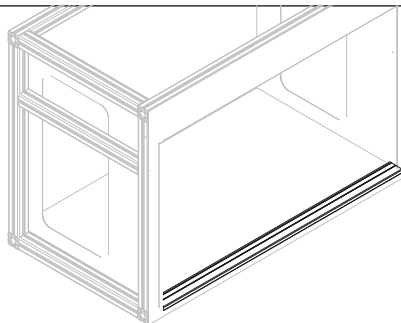
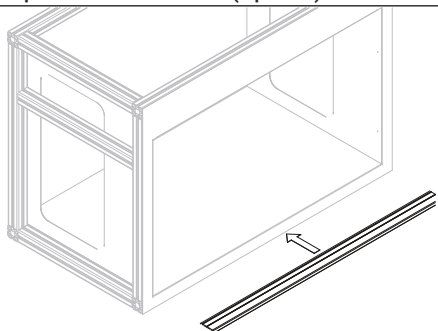
### Additional profiles

Sill plate and drip channel



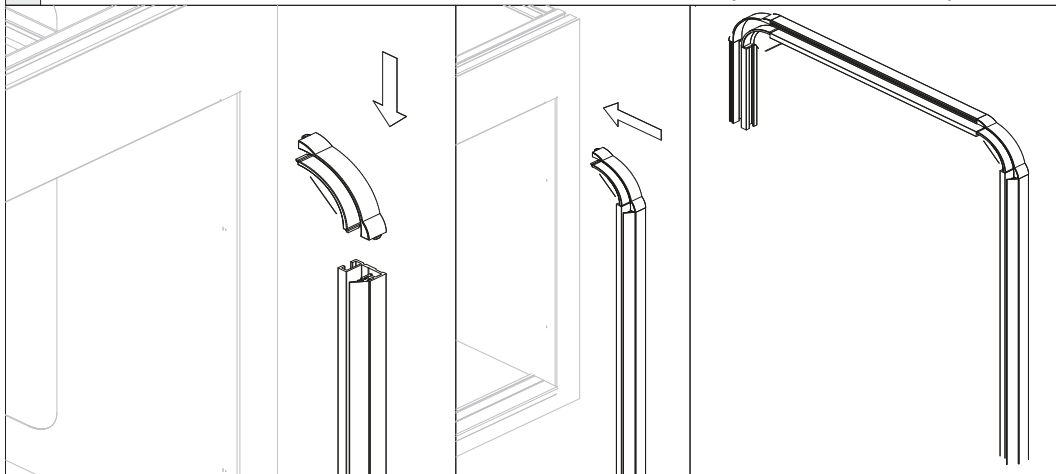
## Installation

### 1 Sill plate installation (option)

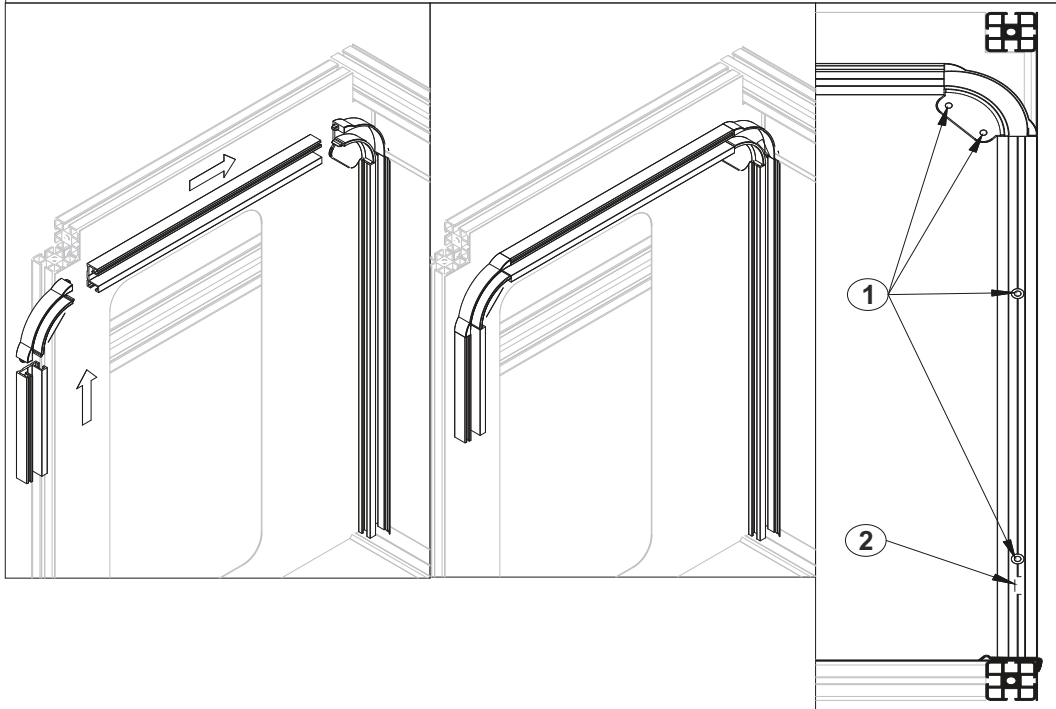


## Installation

- 2 Assemble the 90° corners with the vertical side tracks and place it in the compartment.

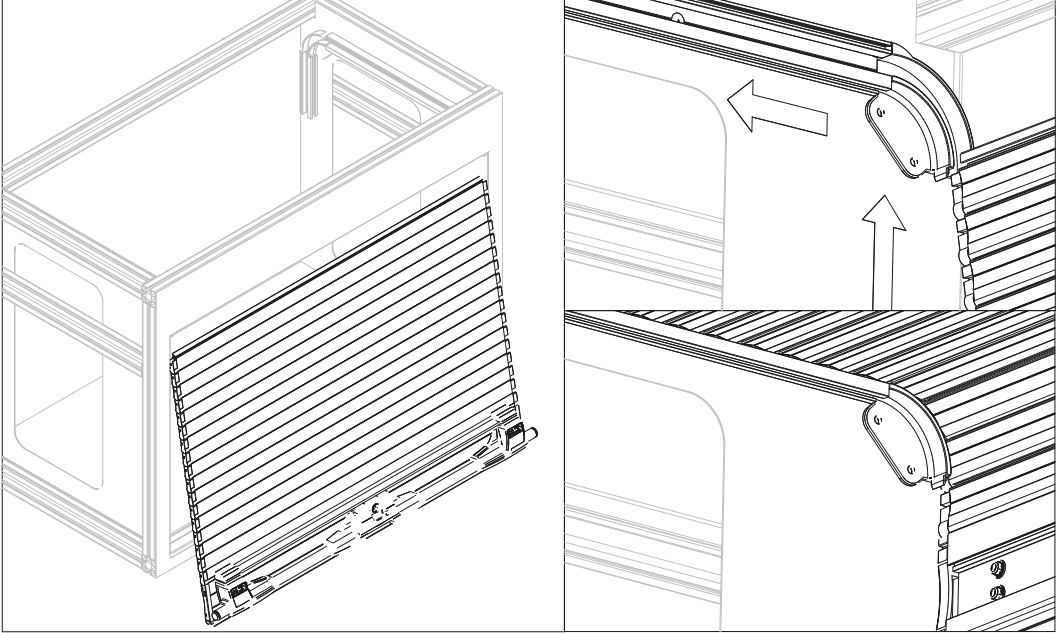


- 3 Following depth space in the compartment, assemble the horizontal tracks, 90° rear corner and rear vertical tracks before placing the assembly in the compartment. Drill the compartment at the location of the tracks holes made by MCD (1-2).

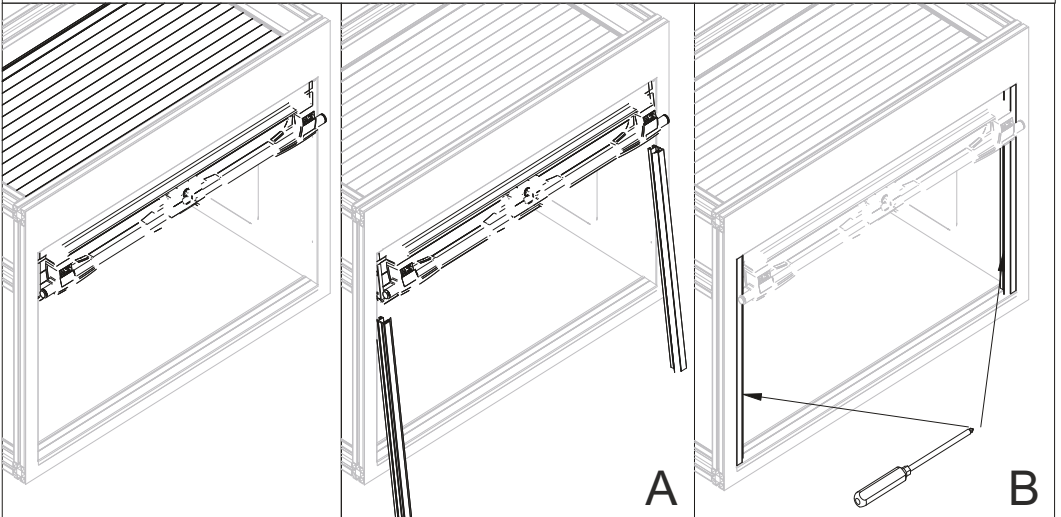


# Installation

- 4 Unroll the wrapped shutter and glide it by the top into the 90° corners and horizontal tracks.

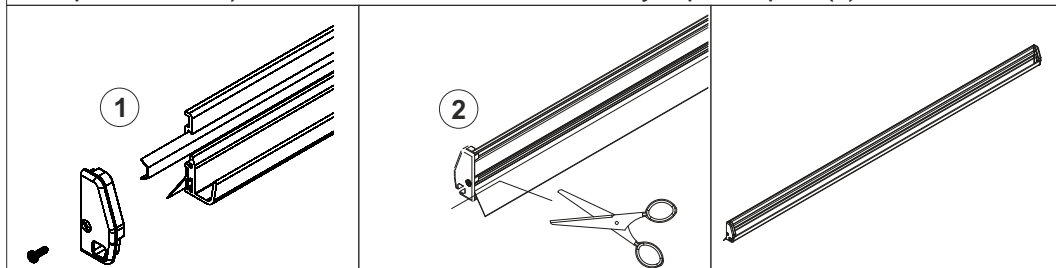


- 5 Glide the tracks in the bottom profile (A) and push them in the opening before screwing it on the wall (B).

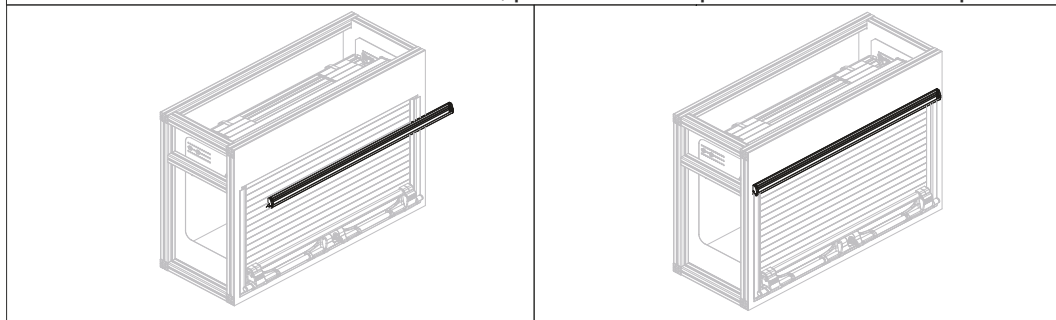


# Installation

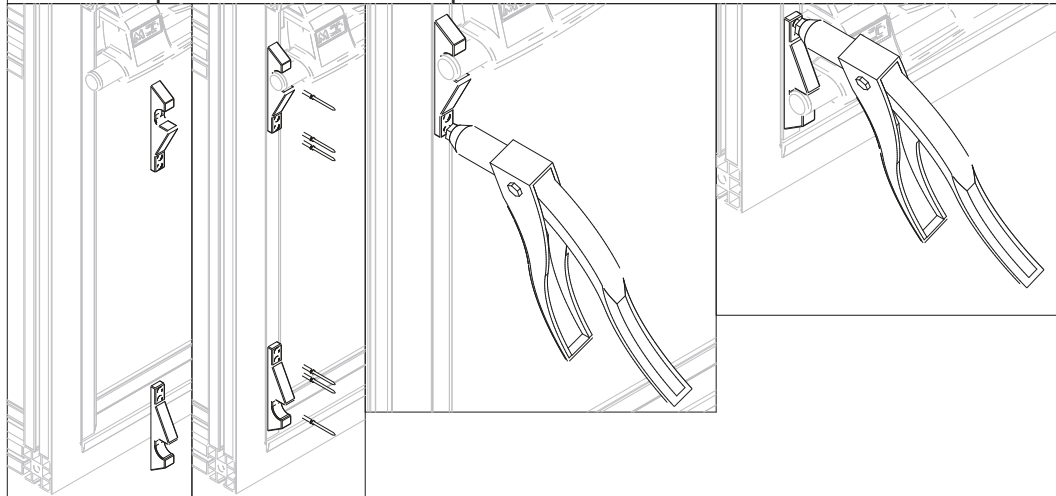
- 6** Prepare together the drip channel profile (option) and the top seal. Remove 1 cap and the drip channel seal (1) in order to glide or glue (depending of your chosen top seal model). Cut the additional unnecessary top seal part (2).



- 7** Place the drip channel on the bodywork against the header and attach it with screws or rivet behind the seal. Once installed, put back the drip channel seal and cap.

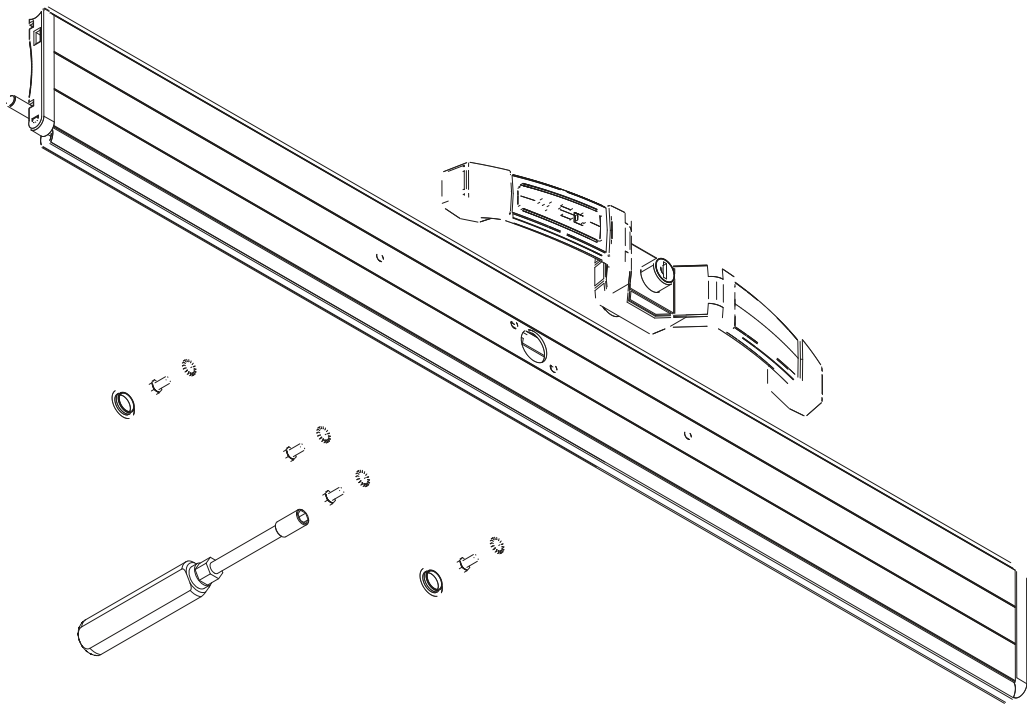


- 8** Put the blocking strikers and top stoppers in position taking care to place the bar tube inside the dedicated area and compress the bottom seal for 1/3. Drill and put the rivet to hold the position.



## Installation

- 8\* Install the double handle on the bottom shutter profile thanks to the screws supplied in the packet of accessories.



Place the locking rod into the bottom blocking strikers. Close the shutter taking care to compress the bottom seal for 1/3. Hold the position on the tracks thanks the screws.

