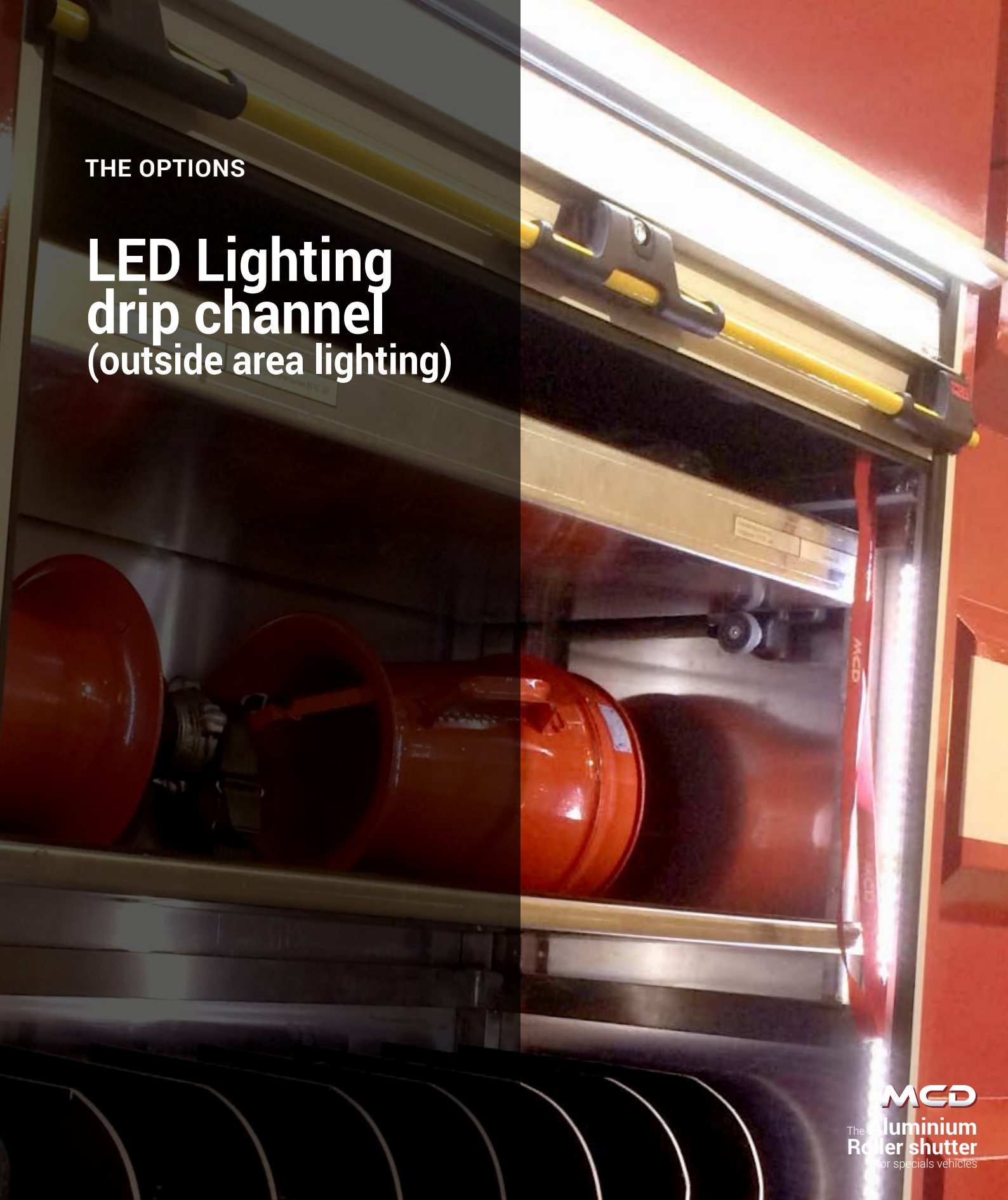


THE OPTIONS

LED Lighting drip channel (outside area lighting)



the options

LED lighting drip channel

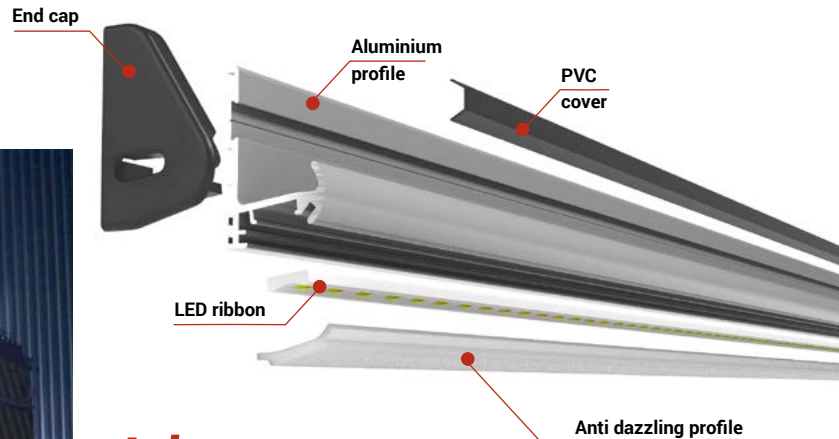
This option consists in an aluminium drip channel profile usefull to protect user from water flow in which is integrated a powerfull LED lighting with anti-dazzling profile in PMMA to flood the light.

The specific rear shape of this profile can be used to hold any kind of top seal we propose in our range.

The advantage of this drip channel integration is to supply a regular lighting flow all along the vehicle if necessary while being difused using the anti-dazzling PMMA profile which also protect the LED.

This avoid having only 1 powerfull spot source that is too dazzling in the night.

The maximum lenght of this profile is about 6.90m and can accept 2 LED voltages: 12 or 24V to precise at ordering time.

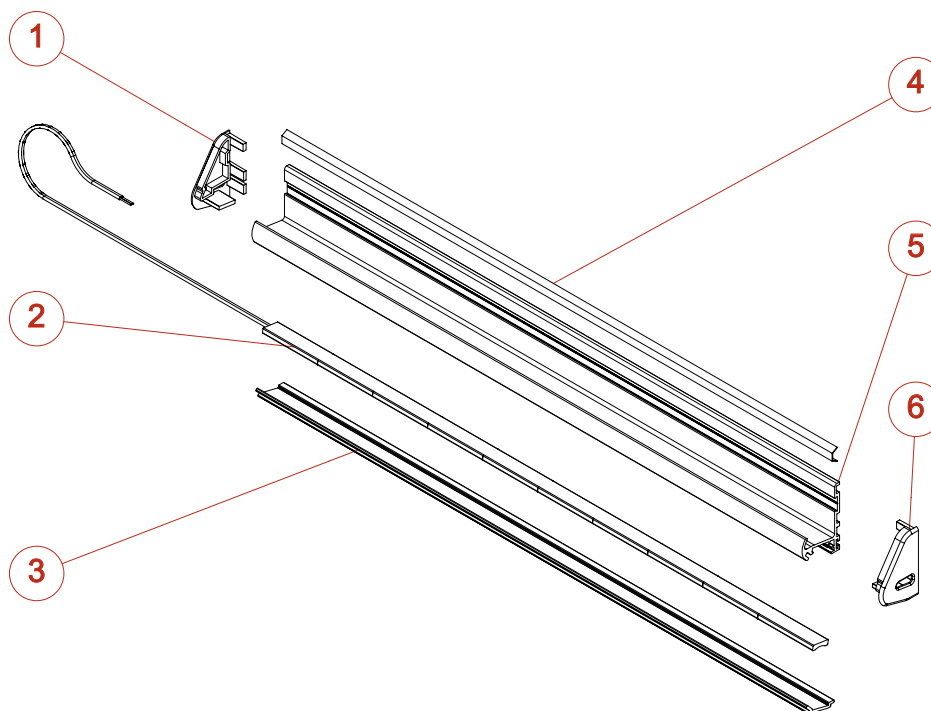


Advantages

- Uniform light distribution all along the vehicle lenght
- Instant lighting
- Automotive electronic protections
- High-performance white lighting
- Reduced consumption : 14,4W/m
- Waterproof system IP67
- Anti-dazzling and protection profile



The options
LED lighting drip channel
Exploded view



The options **LED lighting drip channel**
elements list

N°	Ref	Description
1	4516	RIGHT END CAP FOR LIGHTING DRIP CHANNEL
2	8331 ou 8323	LED LIGHTING RIBBON 12V/24V
3	2050	ANTI DAZZLING PMMA PROFILE (ML)
4	2043	PVC COVER (ML)
5	1602	LIGHTING DRIP CHANNEL ALUMINIUM PROFILE (ML)
6	4515	LEFT END CAP FOR LIGHTING DRIP CHANNEL