

THE OPTIONS

# Interior unlocking



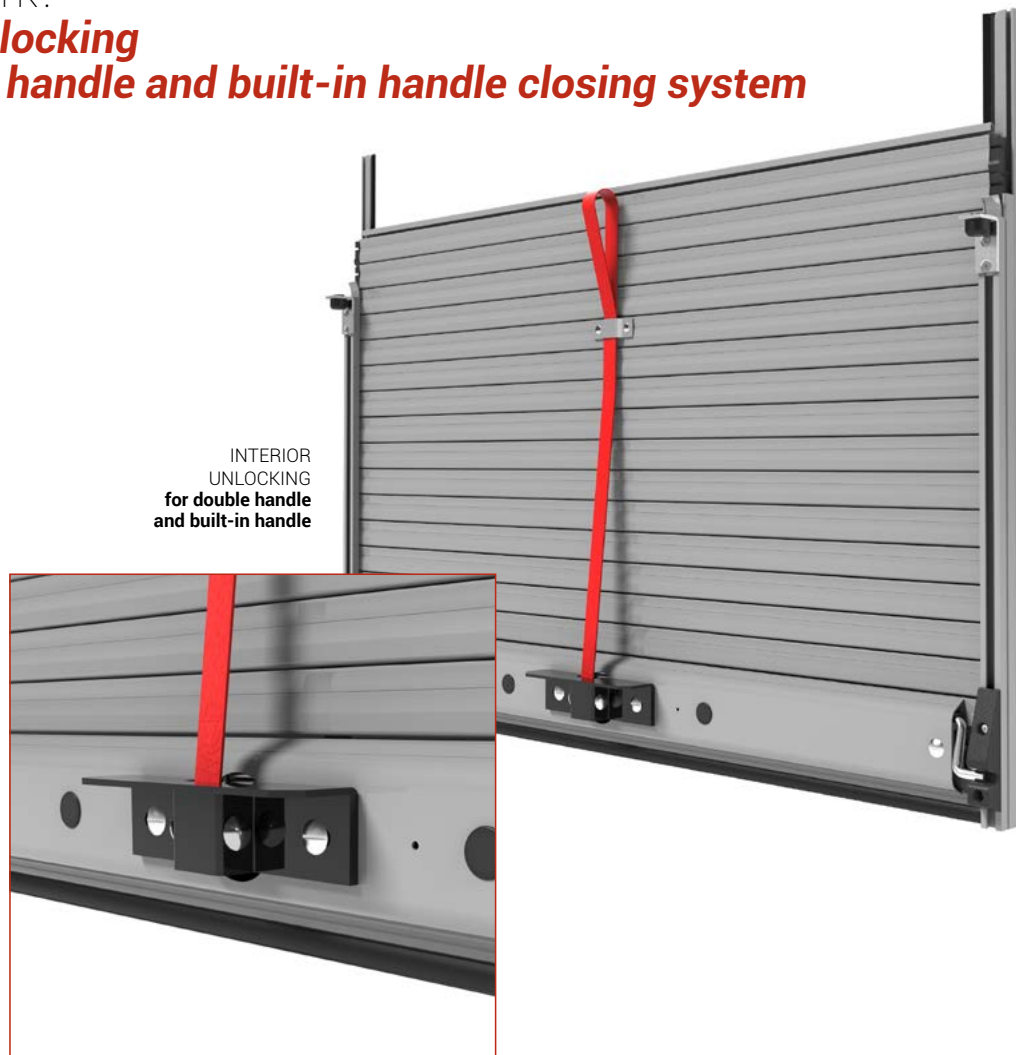
# the options

## Interior unlocking

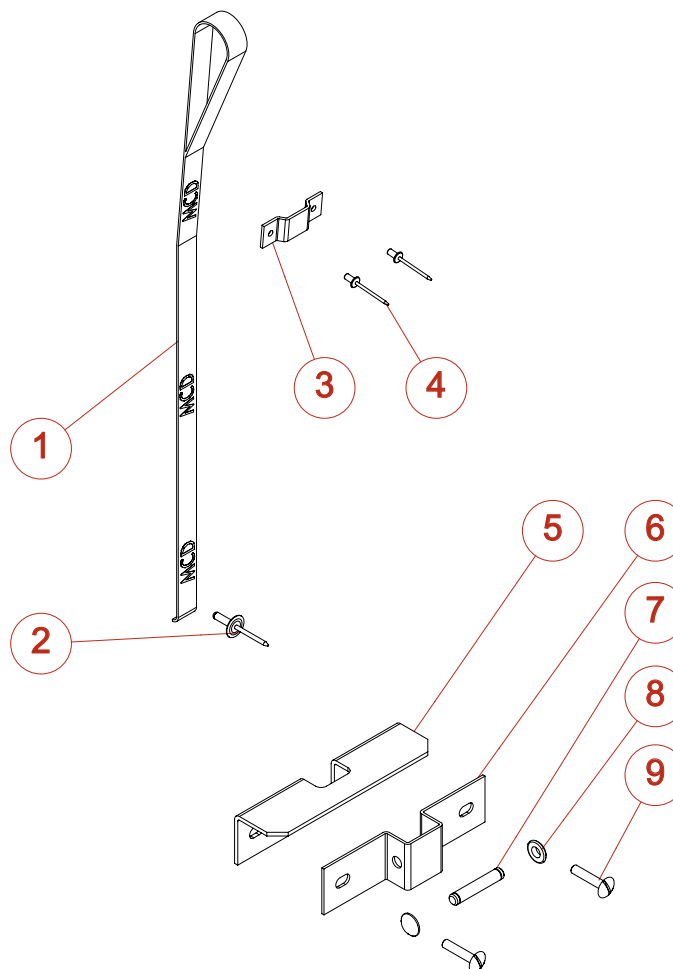
This option, installed at the rear of the shutter, allows user to unlock the door from the inside. This is a usable option when the shutter is installed as an access door, when user could be locked inside the box. A simple lift of the handle strap is enough to unlock the closing system and open the shutter.

How it work?

***Interior unlocking  
for double handle and built-in handle closing system***



The options  
**Interior unlocking  
 for double handle  
 and built-in handle  
 closing systems**  
*Exploded view*



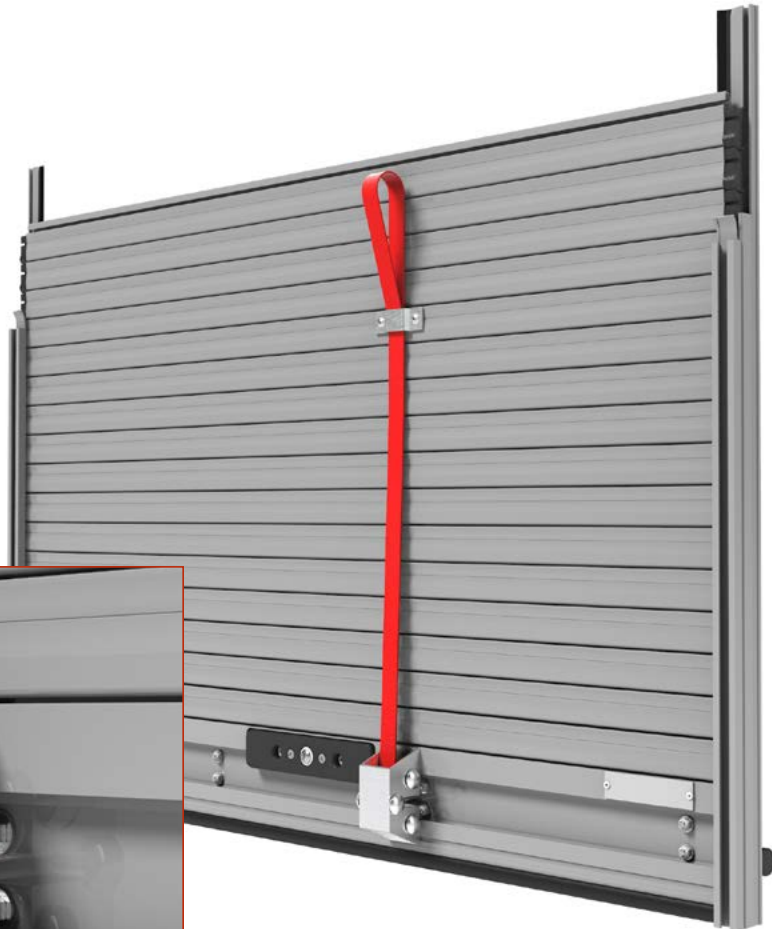
The options **Interior unlocking  
 for double handle and built-in handle**  
*elements list*

N°	Ref	Description
1	4015	UNLOCKING STRAP
2	3246	RIVET 4.8X17
3	3156	STAINLESS BRACKET
4	3338	RIVET 4X8
5	3224	UNLOCKING BRACKET
6	3223	UNLOCKING OMEGA
7	3219	UNLOCKING AXEL
8	3238	HOLDER
9	3337	STAINLESS SCREW TRL POELIER 6X30

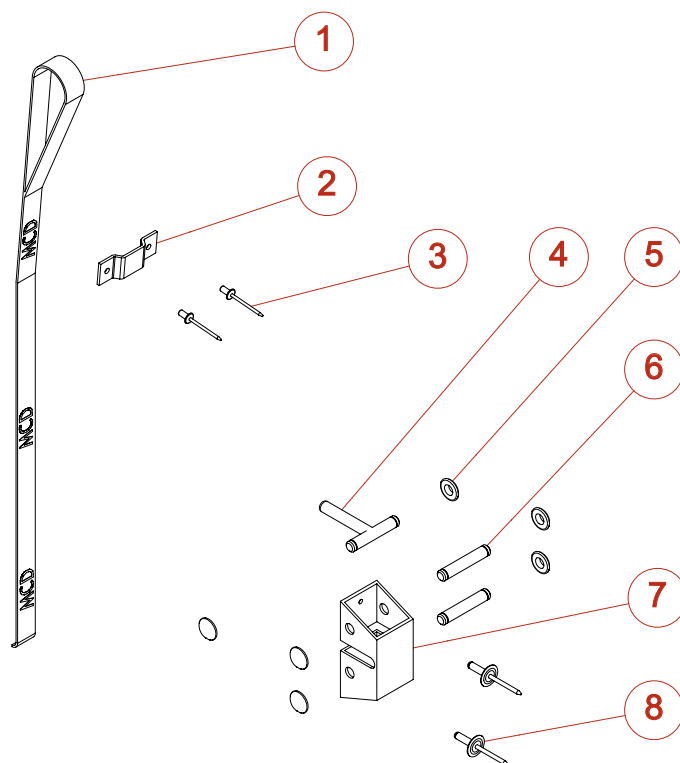
The options  
**Interior  
unlocking**

How it works?  
**Interior unlocking  
for bar lift handle  
closing system**

INTERIOR  
UNLOCKING  
for bar lift handle



The options  
**Interior unlocking  
 for bar lift handle  
 closing system**  
*Exploded view*



The options **Interior unlocking  
 for bar lift handle**  
*elements list*

N°	Ref	Description
1	4019	UNLOCKING STRAP
2	3156	STAINLESS BRACKET
3	3338	RIVET 4X8
4	3287	UNLOCKING AXEL
5	3238	HOLDER
6	3219	UNLOCKING AXEL
7	3295	UNLOCKING AXEL BRACKET
8	3378	RIVET 4.8X10