

THE CLOSING SYSTEMS

Double  
**Handle**



**MCD**  
The **Aluminium**  
**Roller shutter**  
for specials vehicles

# Double handle CLOSING SYSTEM

The closing of the shutter is done thanks to a double handle with central push button with or without key locking. The door is operated by this handle and is automatically locked when lowering on adjustable bottom blocking striker located at the rear of each track.

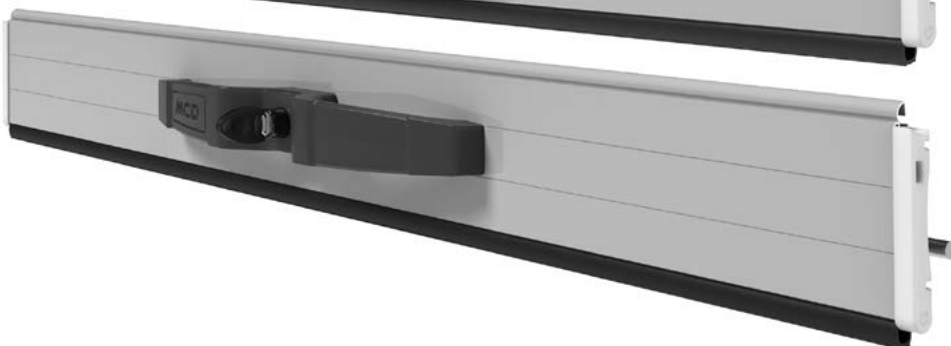
It is stopped in opened position by adjustable flexible rubber stopper located at the top of each track.

We propose, following shutters quantity, to personalised the handle with your company name.

*Double handle  
WITHOUT KEY*



*Double handle  
WITH KEY*



## Compatibility Options / Double handle

	Pull strap	Interior unlocking	Sensor	Electric locking system	LED lighting
Double handle	•	•	•		•



**BE CAREFUL**  
All options are not compatible with all closing system.

# Double handle CLOSING SYSTEM



**Bottom locking**

The shutter opens by pushing the middle button of the handle and is closed automatically when lowering in its bottom blocking striker.



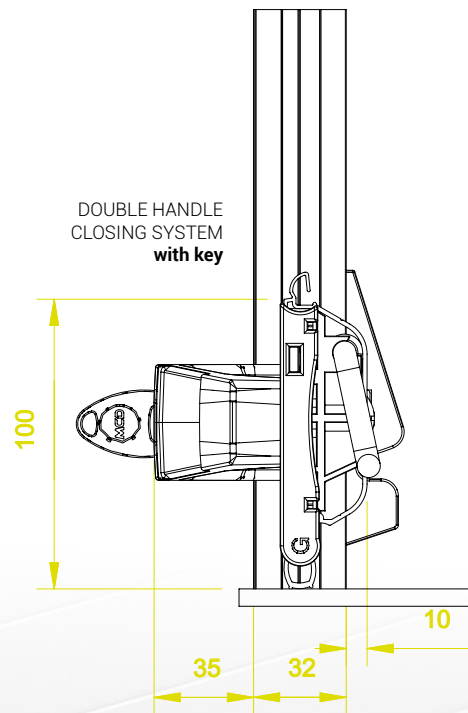
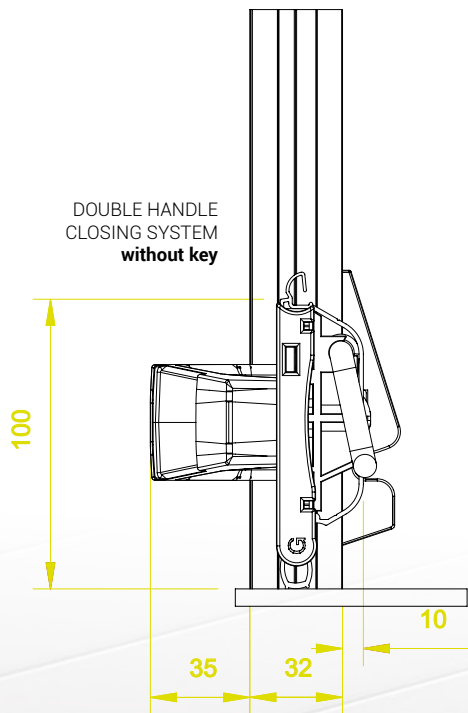
**Top stopper**

The shutter is stopped by adjustable rubber stopper on each track when fully opened.

Closing  
System

# Double handle CLOSING SYSTEM

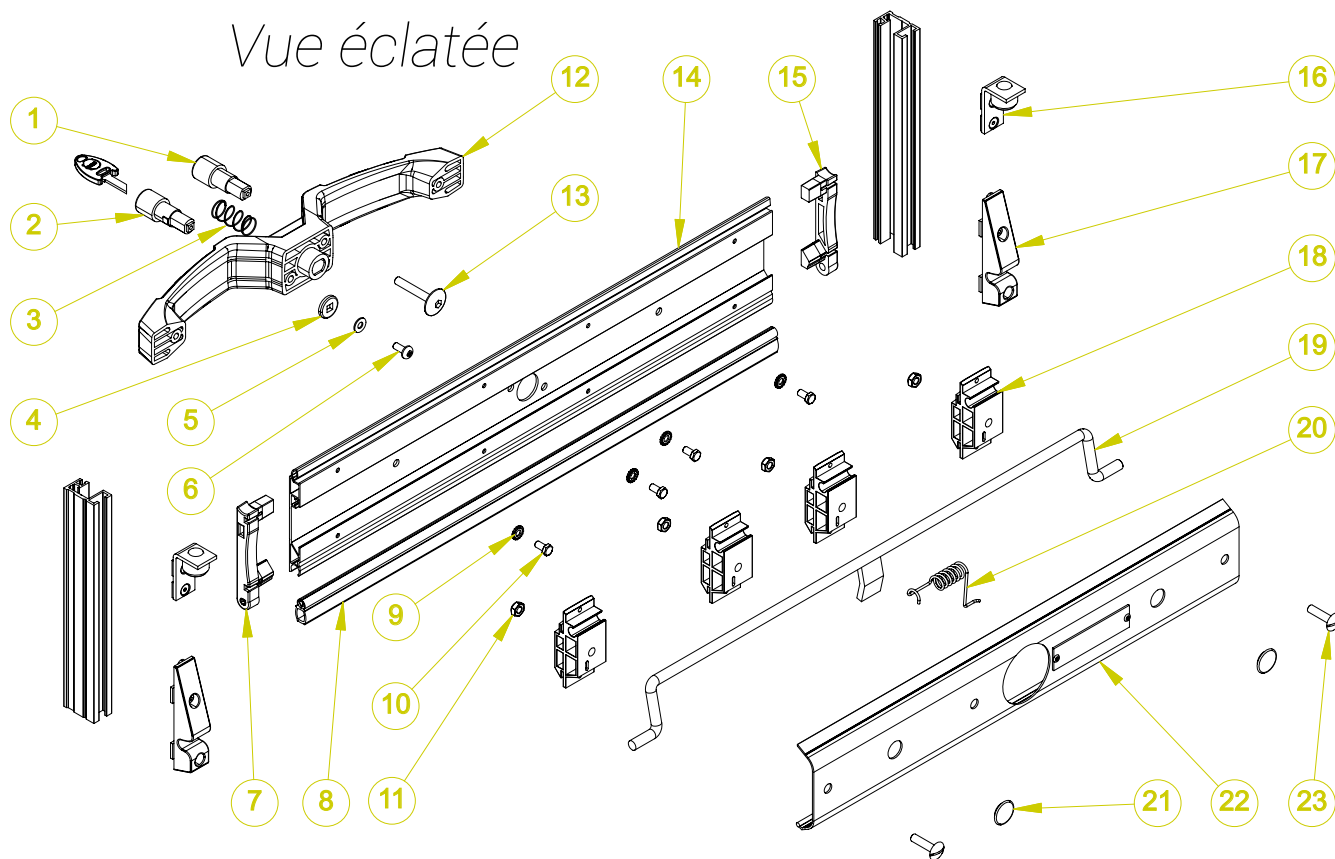
*Dimensions*



# Closing Systems

## Double handle

Vue éclatée



Double handle closing system  
elements list

N°	Ref	Description
1	4202	PUSH BUTTON
2	3750 à 3799	CYLINDER LOCK
3	3226	COMPRESSION SPRING FOR PUSH BUTTON
4	4201	PVC RING FOR DOUBLE HANDLE
5	3319	STAINLESS RING M5
6	3324	STAINLESS SCREW TC 5X12 POZIDRV
7	4017	LEFT CAP FOR BOTTOM PROFILE
8	2010	BOTTOM SEAL (ML)
9	3307	STAINLESS RING AZ 5
10	3306	STAINLESS SCREW TH 5X10
11	3503	ZING COATED LOCK NUT M6
12	4200	DOUBLE HANDLE MCD LOGO

N°	Ref	Description
13	3345	SCREW POELIER TORSQUE 6X40
14	1101	BOTTOM ALUMINIUM PROFILE (ML)
15	4018	RIGHT END CAP FOR BOTTOM PROFILE
16	8117	COMPLETE UPPER STOP FOR DOUBLE HANDLE
17	8115	BOTTOM BLOCKING STRIKER FOR DOUBLE HANDLE
18	4251	FIXATION RODE BEARING
19	3212 à 3215	LOCKING RODE
20	3207	SPRING FOR LOCKING RODE
21	4208	CAP COVER
22	1200	ALUMINIUM COVER PROFILE (ML)
23	3335	STAINLESS SCREW TRL POELIER 6X25