

THE CLOSING SYSTEMS

Built-in
Handle



MCD
The **Aluminium**
Roller shutter
for specials vehicles

Built-in HANDLE

The closing of the shutter is done thanks to a built-in handle with or without key, fully integrated in the shutter thickness, to get no outside obstruction of the handle. The door open by lifting the lever integrated and is automatically locked when lowering on adjustable bottom blocking striker located at the rear of each track.

It is stopped in opened position by adjustable flexible rubber stopper located at the top of each track.

We propose, following shutters quantity, to personalised the handle with your company name.

Built-in HANDLE without key



1 HANDLE
width > 320 mm and ≤ 690 mm



2 HANDLES
width > 690 mm

Built-in HANDLE with key



1 HANDLE
width > 440 mm and ≤ 690 mm



2 HANDLES
width > 690 mm

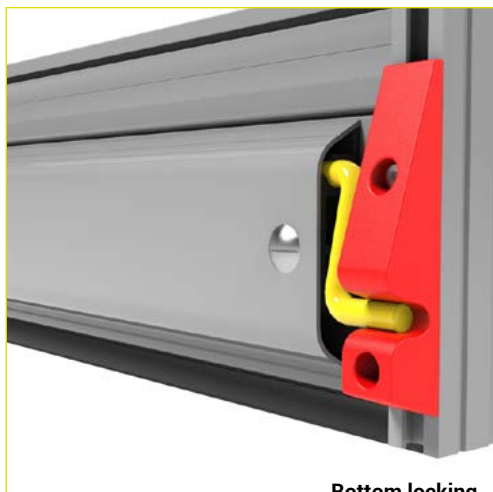
Built-in HANDLE

Compatibility Options/ Built-in handle

	Pull strap	Interior unlocking	Sensors	Electric locking system	LED lighting
Built-in handle	•	•	•		•



BE CAREFUL
All options are not compatible with all closing system.



Bottom locking

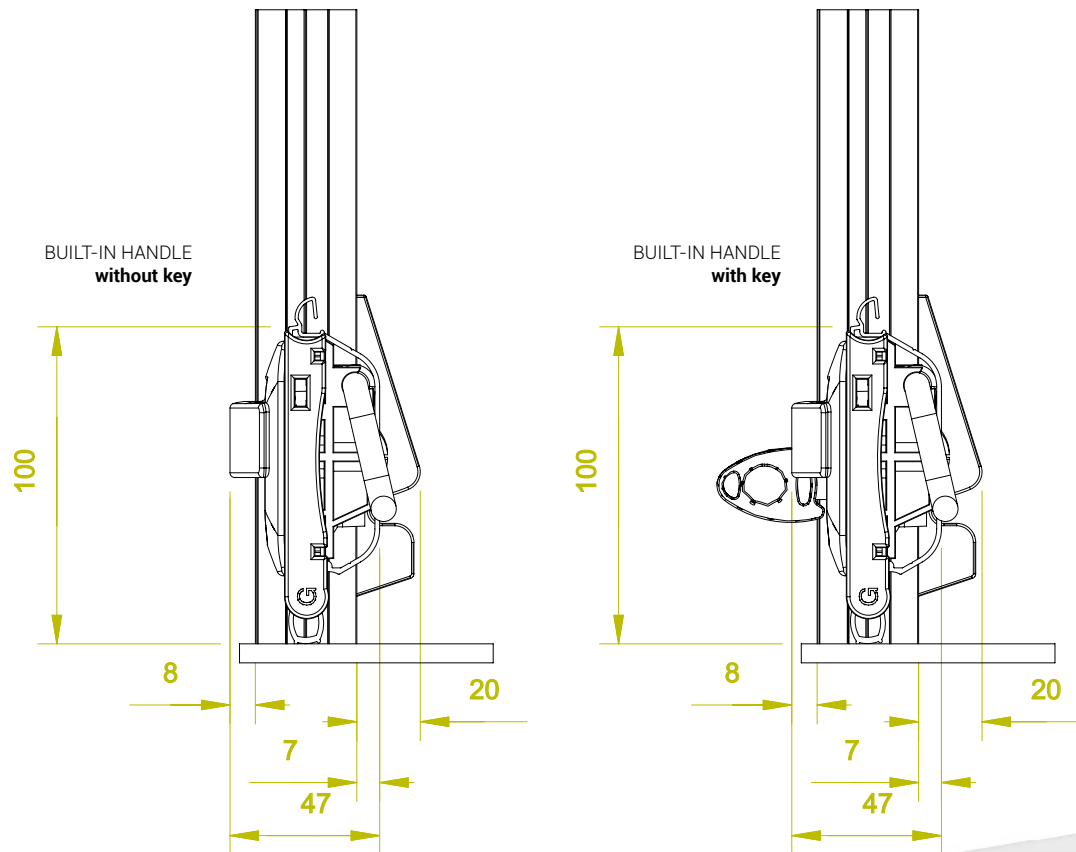
The shutter unlock by pulling the lever of the built-in handle which release the locking rod (yellow) from its bottom blocking strikers (red).

The door is stopped when fully opened thanks to adjustable top stopper locate at the rear of each tracks.

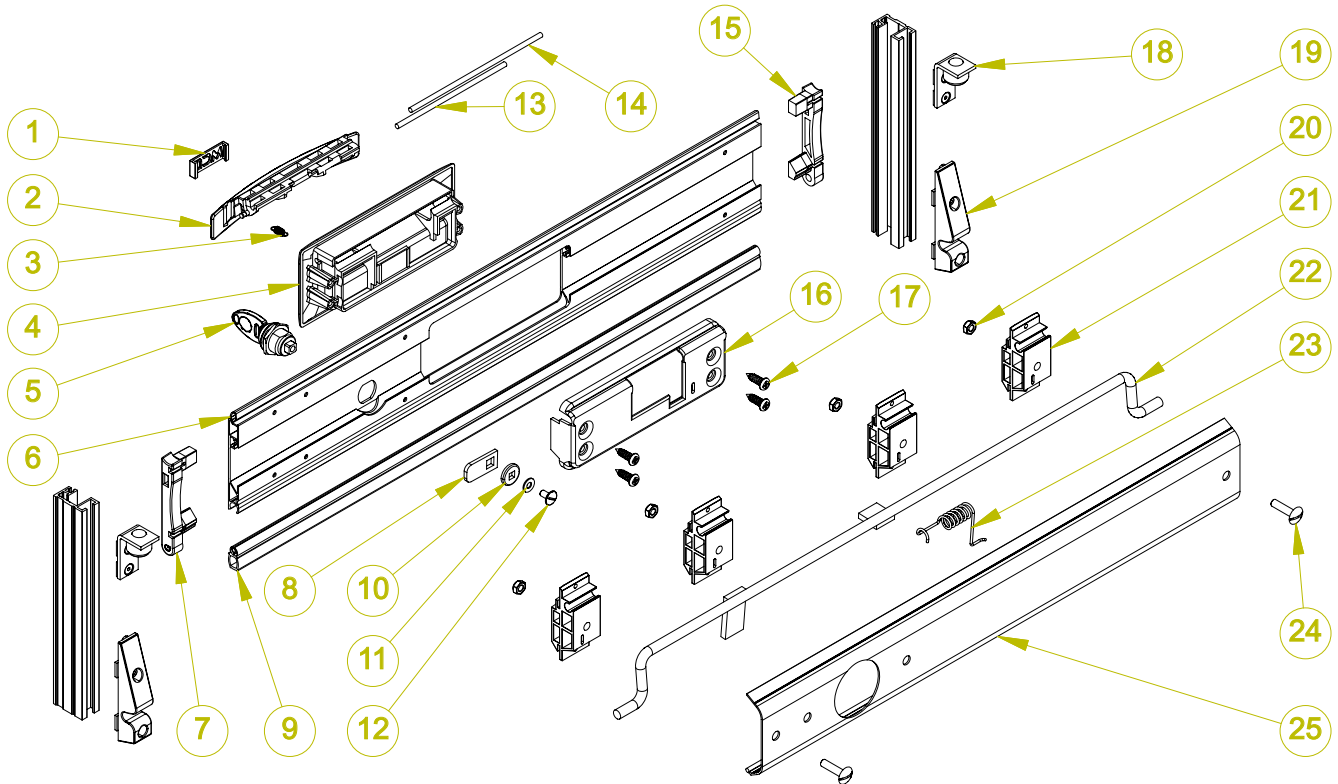


Top stopper

Closing
systems
Built-in
HANDLE
Dimensions



Closing
systems
Built-in
HANDLE
Exploded view



Built-in handle
elements list

N°	Ref	Description
1	4225	MCD LOGO INSERT
2	4361	BUILT-IN HANDLE LEVER
3	4365	LEVER SPRING
4	4362	BUILT-IN HANDLE
5	3850 à 3899	CYLINDER LOCK
6	1101	BOTTOM ALUMINIUM PROFILE (ML)
7	4017	LEFT END CAP FOR BOTTOM PROFILE
8	3960	CAM FOR LOCKING DEVICE
9	2010	BOTTOM SEAL(ML)
10	4201	PVC RING
11	3319	STAINLESS RING M5
12	3362	STAINLESS SCREW POELIER 5X10
13	4364	AXEL 1

N°	Ref	Description
14	4363	AXEL 2
15	4018	RIGHT END CAP FOR BOTTOM PROFILE
16	4366	BUILT-IN HANDLE COVER
17	3519	SCREW VBA TR 5X20 POZIDRIV
18	8117	TOP RUBBER STOPPER
19	8115	BOTTOM BLOCKING STRIKER
20	3503	ZING COATED LOCK NUT M6
21	4251	FIXATION RODE BEARING
22	3410 à 3419	LOCKING RODE
23	3207	SPRING FOR LOCKING RODE
24	3335	STAINLESS SCREW POELIER 5X25
25	1200	ALUMINIUM COVER PROFILE (ML)