

ALUKITS

Alukit

VOLKSWAGEN Crafter (H3)

MAN TGE (H3)



Alukit

VOLKSWAGEN Crafter (H3)

MAN TGE (H3)

The product is made of a fibreglass frame adapted to the rear shape of the vehicle and a roller shutter. It replaces the traditional rear swing doors of the van and fits exactly the previous location of the original doors.

The installation is reversible because it doesn't require any drilling, cutting or welding of the original van bodywork.

Installation required only 3 to 4 hours.

This is the perfect solution to avoid space and safety issues for users generated by classical swing doors opening on the road.

The fibreglass frame is delivered in original white colour of the van manufacturer. The shutter could be delivered in powder coated following RAL colours or anodised finish.

The original white colour of the van manufacturer is made of spray liquid paint while the fibreglass frame is made with gelcoat. MCD cannot guarantee the perfect colour matching of both process, some slight colour difference could be visible.



Advantages

- Vehicle aesthetics preserved
- Doesn't require any bodywork modifications (no drilling, cutting, welding or painting to do)
- Original doors can be restored
- Simple and quick installation time (3 to 4 hours only)

BE CAREFUL

Take care to double check carefully the exact vehicle model you want to equip. Our frame is not compatible with all vehicles height available.



VOLKSWAGEN Crafter (H3)
MAN TGE (H3)

Passing Width : 1280 mm

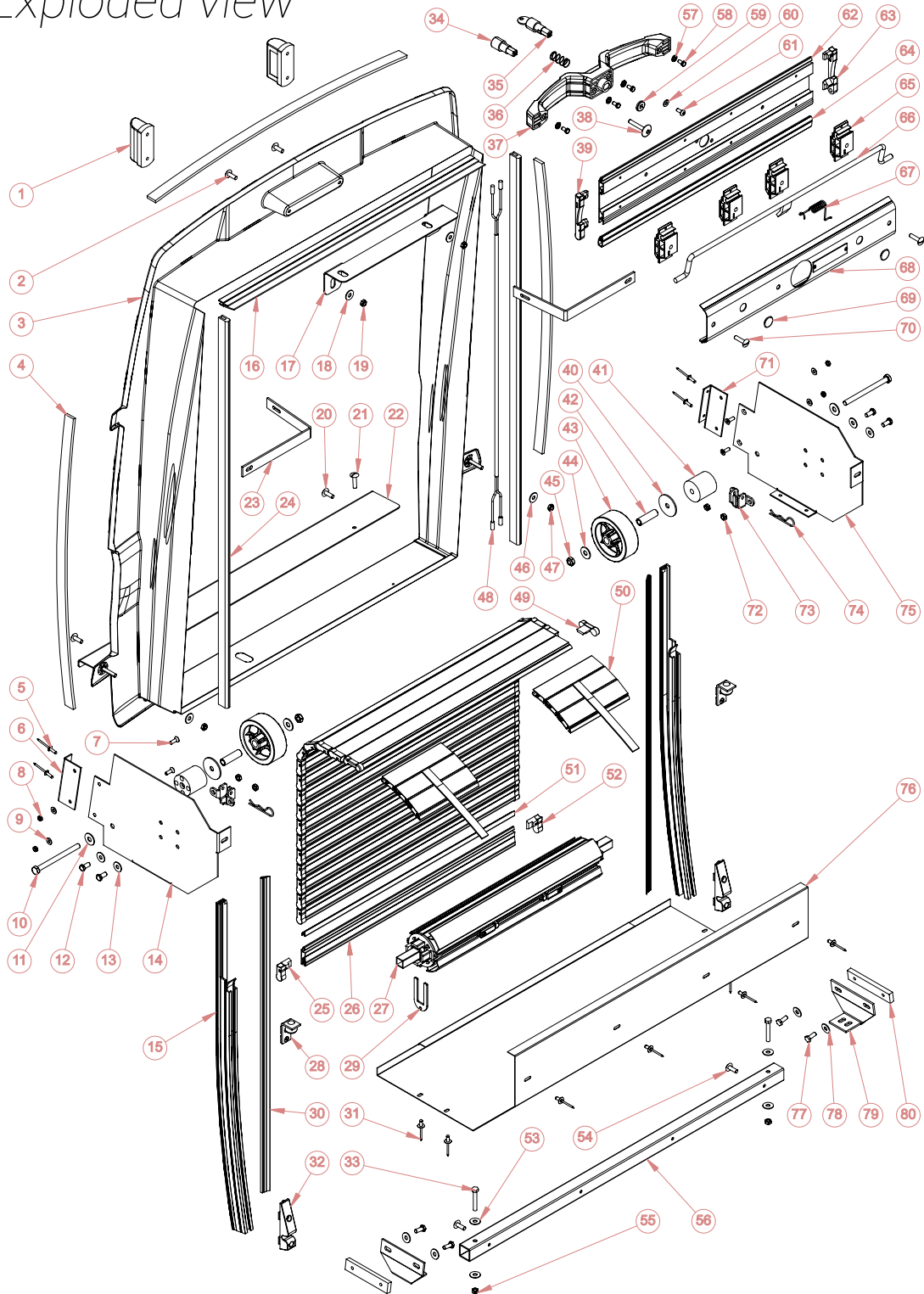
Passing Height : 1660 mm



Alukit

VOLKSWAGEN MAN

Exploded view



N°	Ref	Description
1	6020	REGISTRATION PLATE LIGHTING
2	3325	STAINLESS SCREW TRL POELIER 6X16
3	6725	FIBREGLASS FRAME VWMAN
4	2048	FOAM SEAL 20X5 (ML)
5	3245	RIVET 4X12
6	6256	LEFT SIDE PANEL CONNECTOR
7	3330	STAINLESS SCREW TF POZIDRIV 5X16
8	3510	ZING COATED LOCK NUT M5
9	3319	STAINLESS RING M5
10	3300	STAINLESS SCREW TH 8X100
11	3301	STAINLESS RING L8
12	3507	STAINLESS SCREW TH 6X14
13	3304	STAINLESS RING L6
14	6258	LEFT SIDE PANEL
15	1300	STANDARD SIDE TRACK (ML)
16	2025	ALUTRUCK SEAL (ML)
17	6728	HIGH BRACKET
18	3304	STAINLESS RING L6
19	3503	ZING COATED LOCK NUT M6
20	3325	STAINLESS SCREW TRL POELIER 6X16
21	3335	STAINLESS SCREW TRL POELIER 6X25
22	6731	SILL PLATE VWMAN
23	6729	SIDE BRACKET VWMAN
24	6613	PVC CLIP SEAL (ML)
25	4002	LEFT END CAP FOR 30MM SLAT
26	1009	ALUMINIUM SLAT 30MM V2 (ML)
27	8002	BALANCER
28	8117	COMPLETE UPPER STOP FOR DOUBLE HANDLE
29	3108	BLOCKING FORK
30	2024	SIDE TRACK SEAL (ML)
31	3378	ALUMINIUM / STEEL RIVET 4.8X10
32	8115	BOTTOM BLOCKING STRIKER DOUBLE HANDLE
33	3361	STAINLESS SCREW TH 6X40
34	4202	PUSH BUTTON
35	3750 à 3799	CYLINDER LOCK FOR DOUBLE HANDLE
36	3226	COMPRESSION SPRING FOR LOCK CYLINDER
37	4200	DOUBLE HANDLE
38	3345	SCREW POELIER TORX 6X40
39	4017	LEFT END CAP FOR BOTTOM PROFILE
40	3523	ZING COATED RING M8X40X2.5

N°	Ref	Description
41	4107	PVC SPACER
42	3109	STEEL SPACER
43	4110	GUIDING WHEEL DIAMETER 80MM
44	3301	STAINLESS RING L8
45	3506	ZING COATED LOCK NUT M8
46	3304	STAINLESS RING L6
47	3503	ZING COATED LOCK NUT M6
48		ELECTRICLA WIRING VWMAN
49	4004	TOP SLAT END CAP
50	8113 30	FASTENNER KIT 30MM SLAT V2
51	2005	INNER SLAT SEAL V2 (ML)
52	4003	RIGHT END CAP FOR 30MM SLAT
53	3304	STAINLESS RING L6
54	3325	STAINLESS SCREW TRL POELIER 6X16
55	3503	ZING COATED LOCK NUT M6
56	6726	CROSS BAR VWMAN
57	3307	RING AZ5
58	3306	STAINLESS SCREW TH 5X10
59	4201	PLASTIC RING FOR DOUBLE HANDLE
60	3319	STAINLESS RING M5
61	3324	STAINLESS SCREW TC 5X12
62	1101	BOTTOM ALUMINIUM PROFILE (ML)
63	4018	RIGHT END CAP FOR BOTTOM PROFILE
64	2010	BOTTOM SEAL (ML)
65	4251	FIXATION RODE BEARING
66	3213	LOCKIGN RODE
67	3207	SPRING FOR LOCKING RODE
68	1200	ALUMINIUM COVER PROFILE
69	4208	CAP COVER
70	3335	STAINLESS SCREW TRL POELIER 6X25
71	6257	RIGHT SIDE PANEL CONNECTOR
72	3503	ZING COATED LOCK NUT M6
73	3139	BALANCER BRACKET
74	3371	STAINLESS BETA PIN 2.5
75	6259	RIGHT SIDE PANEL
76	6732	PROTECTION COVER VWMAN
77	3501	ZING COATED SCREW TH 6X16
78	3304	STAINLESS RING L6
79	6730	CROSS BAR BRACKET
80	6727	CROSS BAR PLATE