

ALUKITS

# Alukit

RENAULT Master (H2 & H3)

NISSAN Interstar (H2 & H3)

# Alukit

RENAULT Master (H2 & H3)

NISSAN Interstar (H2 & H3)

The product is made of a fibreglass frame adapted to the rear shape of the vehicle and a roller shutter. It replaces the traditional rear swing doors of the van and fits exactly the previous location of the original doors.

The installation is reversible because it doesn't require any drilling, cutting or welding of the original van bodywork.

Installation required only 3 to 4 hours.

This is the perfect solution to avoid space and safety issues for users generated by classical swing doors opening on the road.

The fibreglass frame is delivered in original white colour of the van manufacturer. The shutter could be delivered in powder coated following RAL colours or anodised finish.

The original white colour of the van manufacturer is made of spray liquid paint while the fibreglass frame is made with gelcoat. MCD cannot guarantee the perfect colour matching of both process, some slight colour difference could be visible.



## Advantages

- **Vehicle aesthetics preserved**
- **Doesn't require any bodywork modifications** (no drilling, cutting, welding or painting to do)
- **Original doors can be restored**
- **Simple and quick installation time (3 to 4 hours only)**

### BE CAREFUL

Take care to double check carefully the exact vehicle model you want to equip. Our frame is not compatible with all vehicles height available.



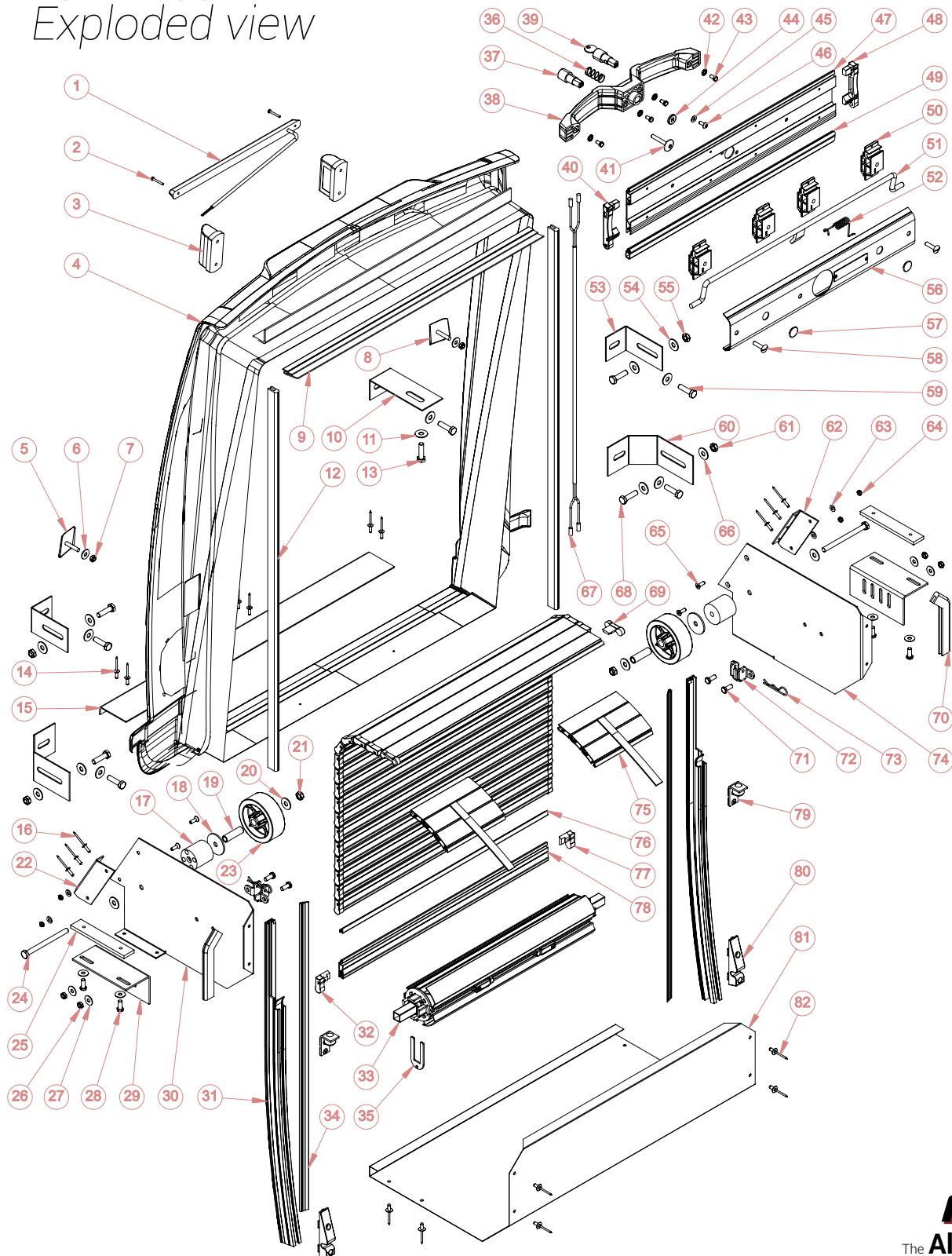
RENAULT Master (H2 & H3)  
NISSAN Interstar (H2 & H3)

Passing Width : **1282 mm**

Passing Height : **1650 mm**



**Alukit**  
**RENAULT NISSAN**  
*Exploded view*



**Alukit RENAULT NISSAN**  
*elements list*

N°	Ref	Description
1	7036	LED THIRD STOP LIGHT
2	3373	STAINLESS SCREW TCL POZIDRIV 3X25
3	6020	REGISTRATION PLATE LIGHTING 12/24V
4	6050	FIBREGLASS FRAME MASTER X62
5	6901	LEFT HINGES COVER MASTER X62
6	3304	STAINLESS RING L6
7	3503	ZING COATED LOCK NUT M6
8	6902	RIGHT HINGES COVER MASTER X62
9	2025	ALUTRUCK SEAL
10	6052	HIGH INSTALLATION BRACKET MASTER X62
11	3301	STAINLESS RING L8
12	6613	PVC CLIP SEAL (ML)
13	3334	STAINLESS SCREW TH 8X30
14	3245	ALUMINIUM / STEEL RIVET 4X12
15	6059	SILL PLATE MASTER X62
16	3245	ALUMINIUM / STEEL RIVET 4X12
17	4107	PVC SPACER
18	3523	ZING COATED RING M8X40X2.5
19	3109	STEEL SPACER
20	3301	STAINLESS RING L8
21	3506	ZING COATED LOCK NUT M8
22	6056	LEFT SIDE PANEL CONNECTOR
23	4110	GUIDING WHEEL DIAMETER 80MM
24	3300	STAINLESS SCREW TH 8X100
25	6063	TIGHTENING BACKPLATE MASTER X62
26	3503	ZING COATED LOCK NUT M6
27	3304	STAINLESS RING L6
28	3507	ZING COATED SCREW TH 6X14
29	6058	SIDE PANEL BRACKET MASTER X62
30	6054	LEFT SIDE PANEL MASTER
31	1300	STANDARD SIDE TRACKS (ML)
32	4002	LEFT END CAP 30MM SLAT
33	8002	BALANCER
34	2024	SIDE TRACK SEAL (ML)
35	3108	BLOCKING FORK
36	3226	COMPRESSION SPRING FOR LOCK CYLINDER
37	4202	PUSH BUTTON
38	4200	DOUBLE HANDLE
39	3750 à 3799	CYLINDER LOCK FOR DOUBLE HANDLE
40	4017	LEFT END CAP FOR BOTTOM PROFILE
41	3345	SCREW POELIER TORX 6X40

N°	Ref	Description
42	3307	RING AZ5
43	3306	STAINLESS SCREW TH 5X10
44	4201	PVC RING FOR CYLINDER LOCK
45	3319	STAINLESS RING M5
46	3324	STAINLESS SCREW TC 5X12 POZIDRIV
47	1101	ALUMINIUM BOTTOM PROFILE (ML)
48	4018	RIGHT END CAP FOR BOTTOM PROFILE
49	2010	BOTTOM SEAL (ML)
50	4251	FIXATION RODE BEARING
51	3213	LOCKING RODE
52	3207	SPRING FOR LOCKING RODE
53	6051	SIDE BRACKET
54	3301	STAINLESS RING L8
55	3506	ZING COATED LOCK NUT M8
56	1200	ALUMINIUM COVER PROFILE (ML)
57	4208	CAP COVER
58	3335	STAINLESS SCREW TRL POELIER 6X25
59	3334	STAINLESS SCREW TH 8X30
60	6053	LOW INSTALLATION BRACKET MASTER X62
61	3506	ZING COATED LOCK NUT M8
62	6057	RIGHT SIDE PANEL CONNECTOR
63	3319	STAINLESS RING M5
64	3510	ZING COATED LOCK NUT M5
65	3330	STAINLESS SCREW TF POZIDRIV 5X16
66	3301	STAINLESS RING L8
67		ELECTRICAL WIRING MASTER
68	3334	STAINLESS SCREW TH 8X30
69	4004	TOP SLAT END CAP
70	6613	PVC CLIP SEAL
71	3507	ZING COATED SCREW TH 6X14
72	3139	BALANCER BRACKET
73	3371	STAINLESS BETA PIN 2.5
74	6055	RIGHT SIDE PANEL MASTER
75	8113 30	FASTENNER KIT 30MM SLAT V2
76	2005	INNER SLAT SEAL V2
77	4003	RIGHT END CAP FOR 30MM SLAT
78	1009	ALUMINIUM 30MM SLAT PROFILE V2 (ML)
79	8117	COMPLETE UPPER STOP FOR DOUBLE HANDLE
80	8115	BOTTOM BLOCKING STRIKER FOR DOUBLE HANDLE
81	6060	PROTECTION COVER MASTER
82	3378	ALUMINIUM / STEEL RIVET 4.8X10