

ALUKITS

Alukit

PEUGEOT Boxer (H2)

CITROEN Jumper (H2)

FIAT Ducato (H2)

OPEL Movano (H2)

Alukit

PEUGEOT Boxer (H2)

CITROËN Jumper (H2)

FIAT Ducato (H2)

OPEL Movano (H2)

The product is made of a fibreglass frame adapted to the rear shape of the vehicle and a roller shutter. It replaces the traditional rear swing doors of the van and fits exactly the previous location of the original doors.

The installation is reversible because it doesn't require any drilling, cutting or welding of the original van bodywork.

Installation required only 3 to 4 hours.

This is the perfect solution to avoid space and safety issues for users generated by classical swing doors opening on the road.

The fibreglass frame is delivered in original white colour of the van manufacturer. The shutter could be delivered in powder coated following RAL colours or anodised finish.

The original white colour of the van manufacturer is made of spray liquid paint while the fibreglass frame is made with gelcoat. MCD cannot guarantee the perfect colour matching of both processes, some slight colour difference could be visible.

Advantages

- **Vehicle aesthetics preserved**
- **Doesn't require any bodywork modifications** (no drilling, cutting, welding or painting to do)
- **Original doors can be restored**
- **Simple and quick installation time (3 to 4 hours only)**



BE CAREFUL

Take care to double check carefully the exact vehicle model you want to equip. Our frame is not compatible with all vehicles height available.



PEUGEOT Boxer (H2)
CITROEN Jumper (H2)
FIAT Ducato (H2)
OPEL Movano (H2)

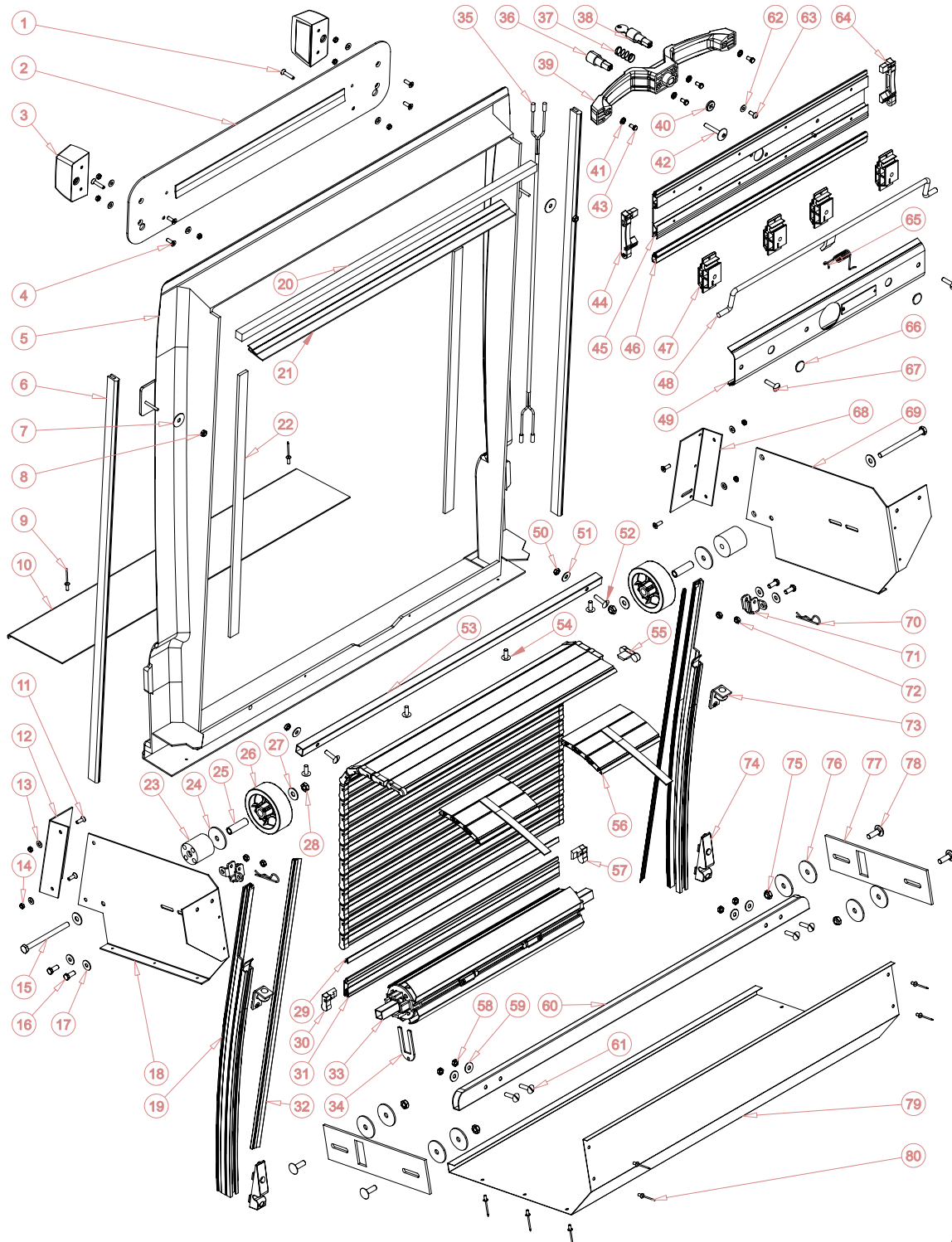
Passing Width : **1368 mm**
Passing Height : **1700 mm**

MCD
The **Aluminium**
Roller shutter
for specials vehicles

Alukit

PEUGEOT CITROËN FIAT OPEL

Exploded view



Alukit PEUGEOT CITROËN FIAT OPEL
elements list

| N° | Ref | Description |
|----|-------------|--------------------------------------|
| 1 | 3360 | STAINLESS SCREW POZIDRIV 5X25 |
| 2 | 6609 | REGISTRATION PLATE HOLDER PANEL BJD |
| 3 | 6019 | REGISTRATION PLATE LIGHTING 12/24V |
| 4 | 3330 | STAINLESS SCREW TF POZIDRIV 5X16 |
| 5 | 6650 | FIBREGLASS FRAME BJD |
| 6 | 6613 | PVC CLIP SEAL (ML) |
| 7 | 3304 | STAINLESS RING L6 |
| 8 | 3503 | ZINC COATED LOCK NUT M6 |
| 9 | 3245 | ALUMINIUM/STEEL RIVET 4X12 |
| 10 | 6601 | SILL PLATE BJD |
| 11 | 3330 | STAINLESS SCREW TF POZIDRIV 5X16 |
| 12 | 6604 | LEFT SIDE PANEL CONNECTOR BJD |
| 13 | 3319 | STAINLESS RING M5 |
| 14 | 3510 | ZINC COATED LOCK NUT M5 |
| 15 | 3300 | STAINLESS SCREW TH 8X100 |
| 16 | 3507 | ZINC COATED SCREW TH 6X14 |
| 17 | 3304 | STAINLESS RING L6 |
| 18 | 6602 | LEFT SIDE PANEL BJD |
| 19 | 1300 | STANDARD SIDE TRACK (ML) |
| 20 | 6101 | SELF ADHESIVE FOAM SEAL 15X12 (ML) |
| 21 | 2045 | ALUTRUCK SEAL |
| 22 | 2048 | PVC FOAM SEAL 20X5 (ML) |
| 23 | 4107 | PVC SPACER |
| 24 | 3523 | ZINC COATED RING M8X40X2.5 |
| 25 | 3109 | STEEL SPACER |
| 26 | 4110 | GUIDING WHEEL DIAMETER 80MM |
| 27 | 3301 | STAINLESS RING L8 |
| 28 | 3506 | ZINC COATED LOCK NUT M8 |
| 29 | 2005 | INNER SLAT SEAL V2 |
| 30 | 4002 | LEFT END CAP FOR 30MM SLAT |
| 31 | 1009 | ALUMINIUM SLAT V2 (ML) |
| 32 | 2024 | SIDE TRACK SEAL (ML) |
| 33 | 8002 | BALANCER |
| 34 | 3108 | BLOCKING FORK |
| 35 | | ELECTRICAL WIRING BJD |
| 36 | 4202 | PUSH BUTTON |
| 37 | 3226 | COMPRESSION SPRING FOR LOCK CYLINDER |
| 38 | 3750 à 3799 | CYLINDER LOCK FOR DOUBLE HANDLE |
| 39 | 4200 | DOUBLE HANDLE |
| 40 | 4201 | PLASTIC RING FOR DOUBLE HANDLE |

| N° | Ref | Description |
|----|---------|---|
| 41 | 3307 | STAINLESS RING AZ5 |
| 42 | 3345 | SCREW POELIER TORX 6X30 |
| 43 | 3306 | STAINLESS SCREW TH 5X10 |
| 44 | 4017 | LEFT END CAP FOR BOTTOM PROFILE |
| 45 | 1101 | BOTTOM ALUMINIUM PROFILE (ML) |
| 46 | 2010 | BOTTOM SEAL (ML) |
| 47 | 4251 | FIXATION RODE BEARING |
| 48 | 3213 | LOCKING RODE |
| 49 | 1200 | ALUMINIUM COVER PROFILE (ML) |
| 50 | 3503 | ZINC COATED LOCK NUT M6 |
| 51 | 3304 | STAINLESS RING M6 |
| 52 | 3337 | STAINLESS SCREW TRL POELIER 6X30 |
| 53 | 6607 | SIDE PANELS REINFORCMENT TUBE BJD |
| 54 | 3335 | STAINLESS SCREW TRL POELIER 6X25 |
| 55 | 4004 | TOP SLAT END CAP |
| 56 | 8113 03 | FASTENNER KIT 30MM SLAT V2 |
| 57 | 4003 | RIGHT END CAP FOR 30MM SLAT |
| 58 | 3503 | ZINC COATED LOCK NUT M6 |
| 59 | 3304 | STAINLESS RING M6 |
| 60 | 6606 | SIDE PANELS REINFORCMENT TUBE BJD |
| 61 | 3335 | STAINLESS SCREW TRL POELIER 6X25 |
| 62 | 3319 | STAINLESS RING M5 |
| 63 | 3324 | STAINLESS SCREW TC 5X12 POZIDRIV |
| 64 | 4018 | RIGHT END CAP FOR BOTTOM PROFILE |
| 65 | 3207 | SPRING FOR LOCKING RODE |
| 66 | 4208 | CAP COVER |
| 67 | 3335 | STAINLESS SCREW TRL POELIER 6X25 |
| 68 | 6605 | RIGHT SIDE PANEL CONNECTOR BJD |
| 69 | 6603 | RIGHT SIDE PANEL BJD |
| 70 | 3371 | STAINLESS BETA PIN 2.5 |
| 71 | 3139 | BALANCER BRACKET |
| 72 | 3503 | ZINC COATED LOCK NUT M6 |
| 73 | 8117 | RUBBER STOPPER 20MM |
| 74 | 8115 | BOTTOM BLOCKING STRIKER FOR DOUBLE HANDLE |
| 75 | 3506 | ZINC COATED LOCK NUT M8 |
| 76 | 3523 | ZINC COATED RING 8X40X2.5 |
| 77 | 6611 | REINFORCER BJD |
| 78 | 3374 | STAINLESS SCREW TRCC 8X25 |
| 79 | 6610 | PROTECTION COVER BJD |
| 80 | 3378 | ALUMINIUM / STEEL RIVET 4.8X10 |