

ALUKITS

# Alukit

MERCEDES

Sprinter rear wheel drive

(Standard surélevé)

# Alukit

MERCEDES

Sprinter Rear wheel drive

(Standard surélevé)

The product is made of a fibreglass frame adapted to the rear shape of the vehicle and a roller shutter. It replaces the traditional rear swing doors of the van and fits exactly the previous location of the original doors.

The installation is reversible because it doesn't require any drilling, cutting or welding of the original van bodywork.

Installation required only 3 to 4 hours.

This is the perfect solution to avoid space and safety issues for users generated by classical swing doors opening on the road.

The fibreglass frame is delivered in original white colour of the van manufacturer. The shutter could be delivered in powder coated following RAL colours or anodised finish.

The original white colour of the van manufacturer is made of spray liquid paint while the fibreglass frame is made with gelcoat. MCD cannot guarantee the perfect colour matching of both process, some slight colour difference could be visible.



## Advantages

- Vehicle aesthetics preserved
- Doesn't require any bodywork modifications (no drilling, cutting, welding or painting to do)
- Original doors can be restored
- Simple and quick installation time (3 to 4 hours only)

### BE CAREFUL

Take care to double check carefully the exact vehicle model you want to equip. Our frame is not compatible with all vehicles height available.



MERCEDES Sprinter Rear wheel drive  
(standard surélevé)

Passing Width : 1270 mm

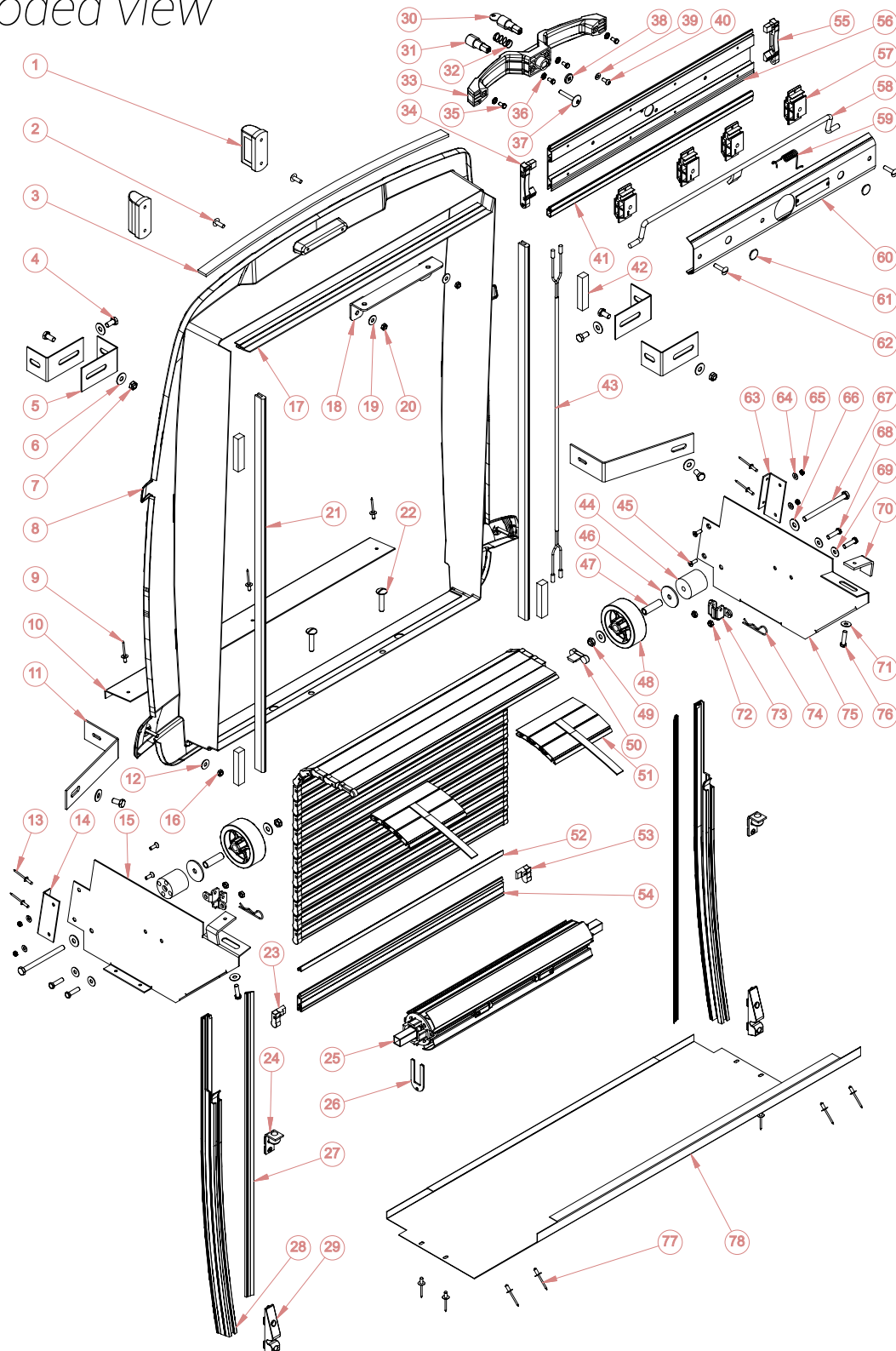
Passing Height : 1758 mm



**MCD**  
The **Aluminium**  
**Roller shutter**  
for specials vehicles

**Alukit**

# MERCEDES Sprinter Rear wheel drive Exploded view



**Alukit MERCEDES Sprinter Rear wheel drive**  
*elements list*

N°	Ref	Description
1	6020	REGISTRATION PLATE LIGHTING 12/24V
2	3325	STAINLESS SCREW TRL POELIER 6X16
3	2048	PVC FOAM SEAL 5X20
4	3364	STAINLESS SCREW TH 8X16
5	6051	SIDE INSTALLATION BRACKET MERCEDES
6	3301	STAINLESS RING L8
7	3377	ZING COATED NUT HU M8
8	6853	FIBREGLASS FRAME MERCEDES SPRINTER
9	3245	ALUMINIUM / STEEL RIVET 4X12
10	6850	SILL PLATE MERCEDES SPRINTER
11	6852	SIDE REINFORCEMENT MERCEDES SPRINTER
12	3304	STAINLESS RING L6
13	3245	ALUMINIUM STEEL RIVET 4X12
14	6256	LEFT SIDE PANEL CONNECTOR
15	6855	FLASQUE GAUCHE SPRINTER
16	3503	ZING COATED LOCK NUT M6
17	2025	ALUTRUCK SEAL
18	6851	HIGH FIXING BRACKET MERCEDES SPRINTER
19	3304	STAINLESS RING L6
20	3503	ZING COATED LOCK NUT M6
21	6613	PVC CLIP SEAL
22	3368	STAINLESS SCREW TRL POELIER 6X40
23	4002	LEFT END CAP FOR 30MM SLAT
24	8117	COMPLETE UPPER STOP FOR DOUBLE HANDLE
25	8002	BALANCER
26	3108	BLOCKING FORK
27	2024	SIDE TRACK SEAL
28	1300	STANDARD SIDE TRACK (ML)
29	8115	BOTTOM BLOCKIGN STRIKER DOUBLE HANDLE
30	3750 à 3799	CYLINDER LOCK FOR DOUBLE HANDLE
31	4202	PUSH BUTTON
32	3226	COMPRESSION SPRING FOR LOCK CYLINDER
33	4200	DOUBLE HANDLE
34	4017	LEFT END CAP FOR BOTTOM PROFILE
35	3306	STAINLESS SCREWTH 5X10
36	3307	STAINLESS SRING AZ5
37	3345	SCREW POELIER TORX 6X40
38	4201	PLASTIC RING FOR DOUBLE HANDLE
39	3319	STAINLESS RING M5

N°	Ref	Description
40	3324	STAINLESS SCREW TC 5X12 POZIDRIV
41	2010	BOTTOM SEAL (ML)
42	6101	SELF ADHESIVE FOAM SEAL 15EP12
43		ELECTRIC WIRING MERCEDES SPRINTER
44	4107	PVC SPACER
45	3330	STAINLESS SCREW TF POZIDRIV 5X16
46	3523	ZING COATED RING M8X40X2.5
47	3109	STEEL SPACER
48	4110	GUIDING WHEEL DIAMETER 80MM
49	3506	ZING COATED LOCK NUT M8
50	4004	TOP SLAT END CAP
51	8113 30	FASTENNER KIT 30MM SLAT V2
52	2005	INNER SLAT SEAL V2
53	4003	RIGHT END CAP FOR 30MM SLAT
54	1009	ALUMINIUM SLAT 30MM V2
55	4018	RIGHT END CAP FOR BOTTOM PROFILE
56	1101	BOTTOM ALUMINIUM PROFILE (ML)
57	4251	FIXATION RODE BEARING
58	3213	LOCKIGN RODE
59	3207	SPRING FOR LOCKIGN RODE
60	1200	ALUMINIUM COVER PROFILE (ML)
61	4208	CAP COVER
62	3335	STAINLESS SCREW TRL POELIER 6X25
63	6257	RIGHT SIDE PANEL CONNECTION
64	3319	STAINLESS RING M5
65	3510	ZING COATED LOCK NUT M5
66	3301	STAINLESS RING L8
67	3300	STAINLESS SCREW TH 8X100
68	3507	STAINLESS SCREW TH 6X14
69	3304	STAINLESS RING L6
70	6453	CROSS BAR BRACKET
71	3304	STAINLESS RING L6
72	3503	ZING COATED LOCK NUT M6
73	3139	BALANCER BRACKET
74	3371	STAINLESS BETA PIN 2.5
75	6856	RIGHT SIDE PANEL MERCEDES SPRINTER
76	3322	STAINLESS SCREW TH 6X25
77	3378	ALUMINIUM / STEEL RIVET4.8X10
78	6857	PROTECTION COVER MERCEDES SPRINTER