

ALUKITS

# Alukit

IVECO Daily (H2)



**MCD**  
The Aluminium  
Roller shutter  
for specials vehicles

# Alukit

## IVECO Daily (H2)

The product is made of a fibreglass frame adapted to the rear shape of the vehicle and a roller shutter. It replaces the traditional rear swing doors of the van and fits exactly the previous location of the original doors.

The installation is reversible because it doesn't require any drilling, cutting or welding of the original van bodywork.

Installation required only 3 to 4 hours.

This is the perfect solution to avoid space and safety issues for users generated by classical swing doors opening on the road.



The fibreglass frame is delivered in original white colour of the van manufacturer. The shutter could be delivered in powder coated following RAL colours or anodised finish.

The original white colour of the van manufacturer is made of spray liquid paint while the fibreglass frame is made with gelcoat. MCD cannot guarantee the perfect colour matching of both process, some slight colour difference could be visible.

## Advantages

- Vehicle aesthetics preserved
- Doesn't require any bodywork modifications (no drilling, cutting, welding or painting to do)
- Original doors can be restored
- Simple and quick installation time (3 to 4 hours only)

### BE CAREFUL

Take care to double check carefully the exact vehicle model you want to equip. Our frame is not compatible with all vehicles height available.



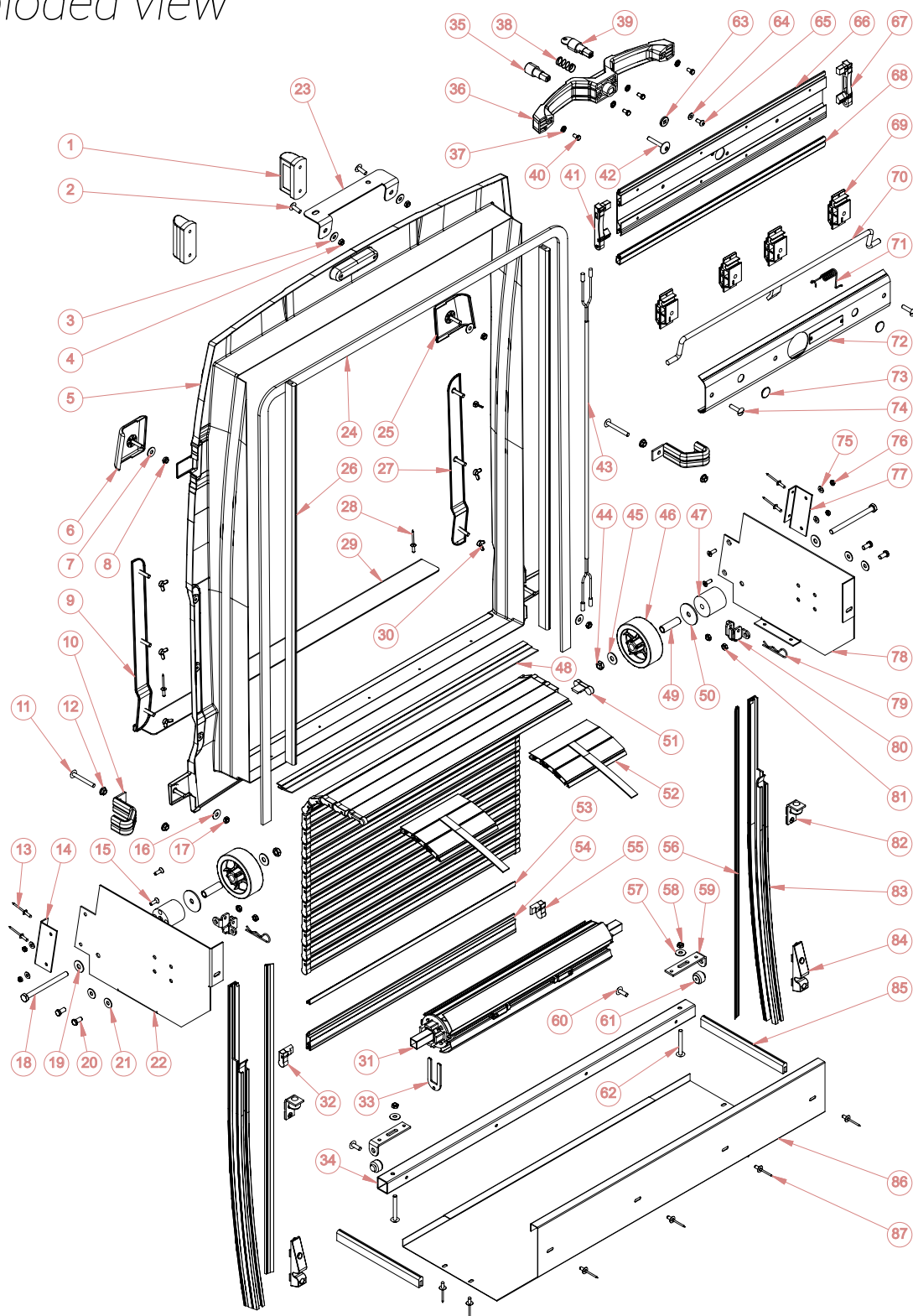
IVECO Daily (H2)

Passing Width : **1323 mm**

Passing Height : **1605 mm**



# Alukit IVECO Exploded view



Alukit IVECO  
elements list

N°	Ref	Description
1	6020	REGISTRATION PLATE LIGHTING 12/24V
2	3325	STAINLESS SCREW TRL POELIER 6X16
3	3304	STAINLESS RING L6
4	3503	ZING COATED LOCK NUT M6
5	6251	FIBREGLOSS FRAME IVECO DAILY H2 2016/07
6	6264	LEFT HINGES COVER IVECO DAILY
7	3304	STAINLESS RING L6
8	3503	ZING COATED LOCK NUT M6
9	6266	LEFT LIGHT COVER IVECO DAILY
10	6253	LOW FIXING BRACKET IVECO DAILY
11	3352	STAINLESS SCREW TRL POELIER 6X50
12	3525	ZING COATED NUT WITH SERRATE FLANGE M6
13	3245	ALUMINIUM / STEEL RIVET 4X12
14	6256	LEFT SIDE PANEL CONECTOR IVECO DAILY
15	3330	STAINLESS SCREW TF POZIDRIV 5X16
16	3304	STAINLESS RING L6
17	3503	ZING COATED LOCK NUT M6
18	3300	STAINLESS SCREW TH 8X100
19	3301	STAINLESS RING L8
20	3507	STAINLESS SCREW TH 6X14
21	3304	STAINLESS RING L6
22	6258	LEFT SIDE PANEL IVECO DAILY
23	6252	HIGHT FIXING BRACKET IVECO DAILY
24	6102	SELF ADHESIVE FOAM SEAL 30 EP5 (ML)
25	6265	RIGHT HINGES COVER IVECO DAILY
26	6613	CLIP SEAL (ML)
27	6267	RIGHT LIGHT COVER IVECO DAILY
28	3245	ALUMINIUM / STEEL RIVET 4X12
29	6255	SILL PLATE IVECO DAILY
30	3323	STAINLESS STEEL NUT M6
31	8002	BALANCER
32	4002	LEFT END CAP FOR 30MM SLAT
33	3108	BLOCKING FORK
34	6270	CROSS BAR IVECO DAILY L2 H2
35	4202	PUSH BUTTON
36	4200	DOUBLE HANDLE
37	3307	RING AZ5
38	3226	COMPRESSION SPRING FOR DOUBLE HANDLE
39	3750 à 3799	CYLINDER LOCK FOR DOUBLE HANDLE
40	3306	STAINLESS SCREW TH 5X10
41	4017	LEFT END CAP FOR BOTTOM PROFILE
42	3345	SCREW POELIER TORX 6X40
43		ELECTRICLA WIRES FOR IVECO DAILY
44	3506	ZING COATED LOCK NUT M8

N°	Ref	Description
45	3301	STAINLESS RING L8
46	4110	GUIDING WHEEL DIAMETER 80MM
47	4107	PVC SPACER
48	2025	ALUTRUCK SEAL
49	3109	STEEL SPACER
50	3523	ZING COATED RING M8X40X2.5
51	4004	TOP SLAT END CAP
52	8113 30	FASTENNER KIT 30MM SLAT V2
53	2005	INNER SLAT SEAL V2 (ML)
54	1009	ALUMINIUM SLAT 30MM V2 (ML)
55	4003	RIGHT END CAP FOR 30MM SLAT
56	2024	SIDE TRACK SEAL (ML)
57	3304	STAINLESS RING L6
58	3503	ZING COATED LOCK NUT M6
59	6271	BRACKET FOR CROSS BAR IVECO DAILY L2 H2
60	3325	STAINLESS SCREW TRL POELIER 6X16
61	4219	RUBBER END STOP 20MM
62	3352	STAINLESS SCREW TRL POELIER 6x50
63	4201	PLASTIC RING FOR DOUBLE HANDLE
64	3319	STAINLESS RING M5
65	3324	STAINLESS SCREW TC 5X12 POZIDRIV
66	1101	BOTTOM ALUMINIUM PROFILE (ML)
67	4018	LEFT END CAP FOR BOTTOM PROFILE
68	2010	BOTTOM SEAL(ML)
69	4251	FIXATION RODE BEARING
70	3213	LOCKING RODE
71	3207	SPRING FOR LOCKING RODE
72	1200	ALUMINIUM COVER PROFILE (ML)
73	4208	CAP COVER
74	3335	STAINLESS SCREW TRL POELIER 6X25
75	3319	STAINLESS RING M5
76	3510	ZING COATED LOCK NUT M5
77	6257	RIGHT SIDE PANEL CONECTOR IVECO DAILY
78	6259	RIGHT SIDE PANEL IVECO DAILY
79	3371	STAINLESS BETA PIN 2.5
80	3139	BALANCER BRACKET
81	3503	ZING COATED LOCK NUT M6
82	8117	COMPLETE UPPER STOP FOR DOUBLE HANDLE
83	1300	STANDARD SIDE TRACK (ML)
84	8115	BOTTOM BLOCKING STRIKER FOR DOUBLE HANDLE
85	6613	PVC CLIP SEAL (ML)
86	6260	PROTECTION COVER IVECO DAILY
87	3378	ALUMINIUM / STEEL RIVET 4.8X10