

SHUTTER

Alu30

top slide



Alu30 top slide

The Alu30 front roll shutter is made to measure with double-walled extruded slats of 30mm height. The door can be used to close compartments or as loading access door in all kind of vehicles as replacement of conventional swing doors to optimise the space inside and outside.

It's delivered in different parts ready to install:

- 1 assembled shutter
- 1 pair of aluminium vertical side tracks already drilled
- 1 pair of aluminium horizontal side tracks already drilled
- 1 balancer
- 1 packet of accessories



Maximum / Minimum product dimensions

Maximum Height	2200 mm
Maximum Width	2000 mm
Minimum Width	355 mm
Maximum surface area	2 m ²
Weight of the shutter /m ²	12 Kg

The **SHUTTER**
system
Alu30 top slide
Personalization

The **ALU30 top slide** shutter system is fully customizable:
colour finish of the components, side tracks model, closing system and options:
(bended tracks, pull strap, interior unlocking, sensors, LED integrated lights, electric locking system).

You can customise your shutter according to the following specifications:

1. COLOUR FINISH OF THE COMPONENTS

The standard colour finish is a powder coated epoxy paint in grey RAL 7035 or white RAL 9010.
We also propose several usual RAL colour finish kept in stock or any others RAL colour following special request and quantities.

Our shutters are also available in anodised finish.



Example of
COLOUR FINISH



DOUBLE HANDLE
personalized

BAR LIFT HANDLE
with personalized logo

2. THE CLOSING SYSTEM

The closing of the shutter is done by different possibilities of handle with or without key.

It's possible to supply the same key number for different shutters on a same order if many doors equip the same vehicle.

Built-in
HANDLE

Double
HANDLE

Bar lift
HANDLE



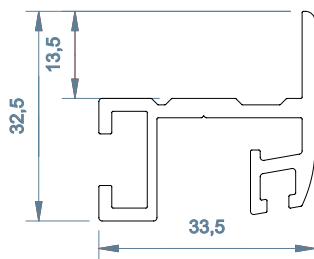
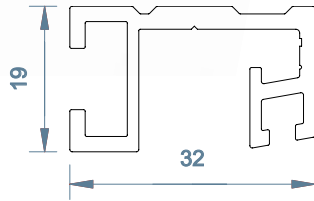


3. SIDE TRACKS MODELS

We propose 2 kind of side tracks following the bodywork possibilities :

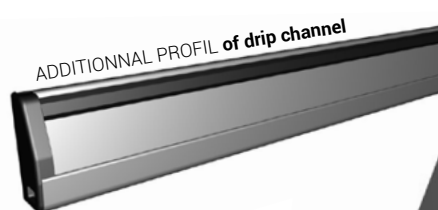
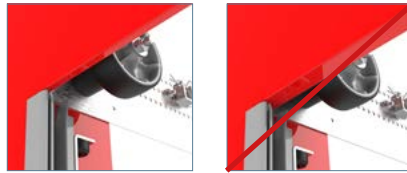
Standard side tracks

The standard track can be installed in any bodywork configuration. It's a simple «U» shape in which the shutter glide.



Overlapping side tracks

The overlapping side track required a specific construction : As the track overlap the vehicle bodywork, then it's necessary to have a header thickness < 9mm to let free the shutter way to go out of its tracks (see details below).



ADDITIONNALL PROFIL of drip channel

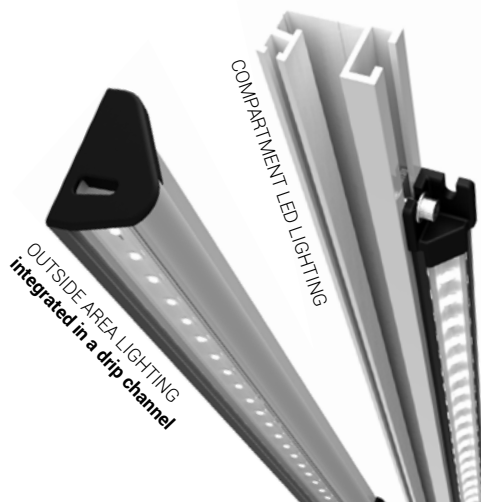
4. OPTIONAL EQUIPMENTS

Many additional options are available on demand to answer each requirement :

- Bended tracks following your drawing
- Pull strap to catch the shutter handle when installed too high
- Sill plate and drip channel for a better handling of water rejects
- Sensors for automatic compartment lighting when opening the shutter
- LED compartment lighting integrated in the side tracks or in a special drip channel profile
- Electric locking system
- Interior unlocking



LED LIGHT integrated in the side tracks

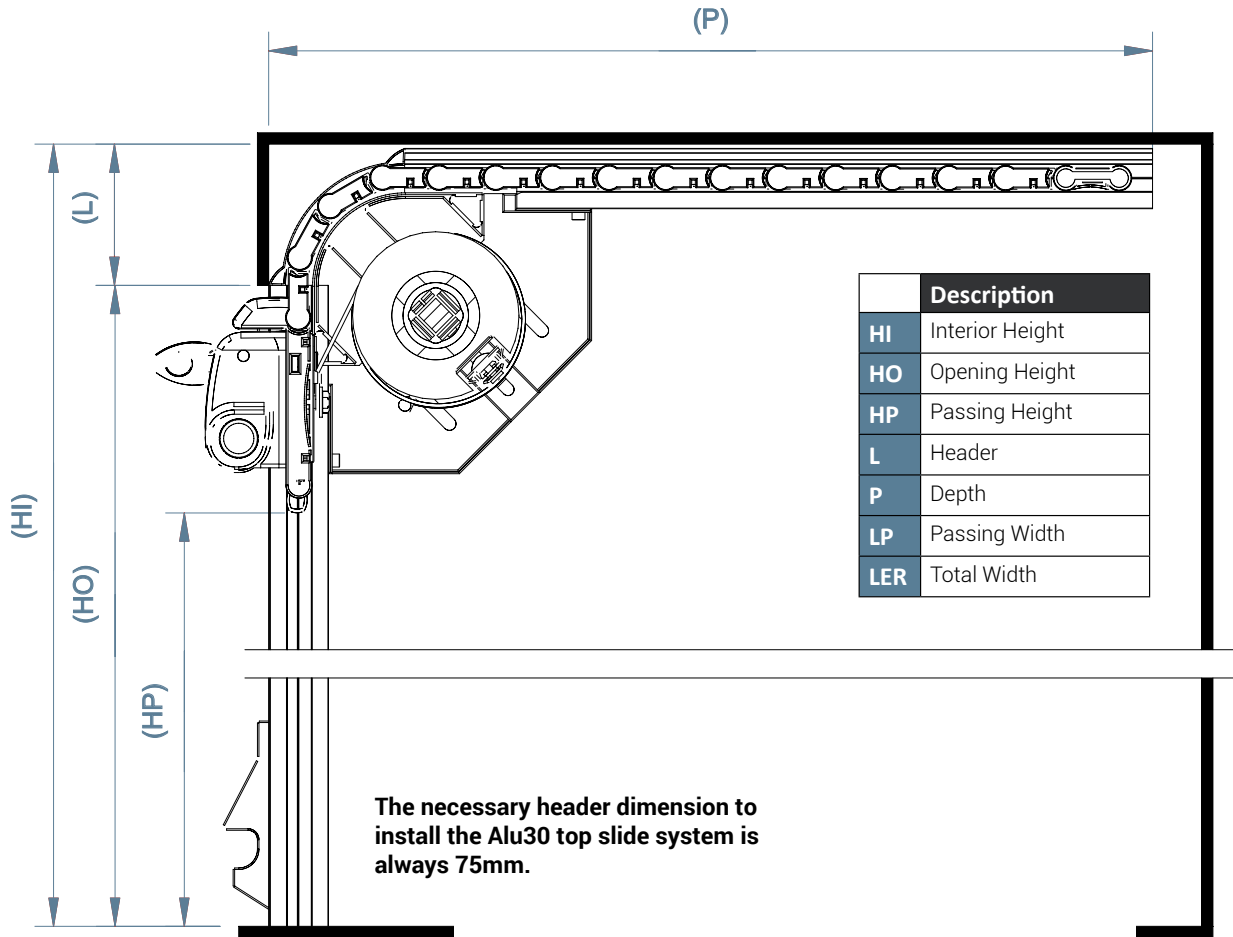


OUTSIDE AREA LIGHTING integrated in a drip channel

COMPARTMENT LED LIGHTING

BENDING of the tracks following your drawing

The SHUTTER
system
Alu30 top slide
Setting up



To remember :

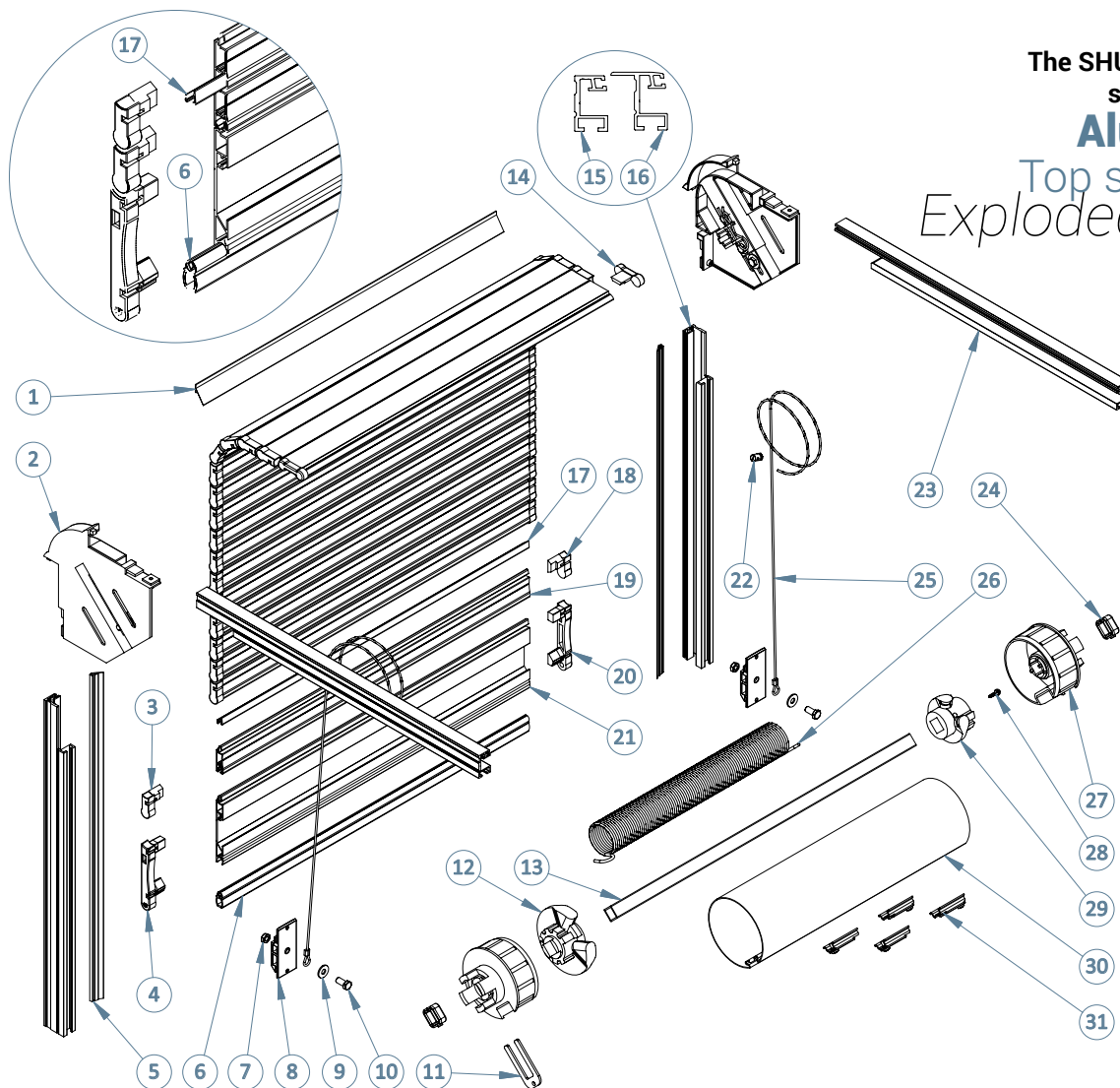
HI = HO + L
 HP = HO - 100 mm
 L.P = LER - 60 mm
 L = 75 mm

As difference from classical swing door,
a shutter always requires a top header panel in order to hide rolling mechanism.

The articulation of the shutter in its side panel **shouldn't be visible from the outside of the compartment** (the shutter should remain straight seeing from the outside of the vehicle).



The SHUTTER
system
Alu30
Top slide.
Exploded view



Alu30 Top slide
elements list

N°	Ref	Description
1	2030	TOP SEAL (ML)
2	8116	ALU30 TOP SLIDE SIDE PANEL
3	4002	LEFT END CAP FOR 30MM SLAT
4	4017	LEFT END CAP FOR BOTTOM PROFILE
5	2024	SIDE TRACKS SEAL (ML)
6	2010	BOTTOM SEAL (ML)
7	3503	ZINC COATED LOCK NUT M6
8	4250	CABLE CLIP
9	3304	STAINLESS RING L6
10	3507	ZINC COATED SCREW TH 6X14
11	3108	BLOCKING FORK
12	4103	MOBILE SPRING BRACKET FOR BALANCER 89MM
13	3100	SQUARE TUBE 16X16X1.5 (ML)
14	4004	TOP SLAT END CAP
15	1300	STANDARD SIDE TRACKS (ML)
16	1305	OVERLAPPING SIDE TRACKS (ML)

N°	Ref	Description
17	2005	INNER SLAT SEAL (ML)
18	4003	RIGHT END CAP FOR 30MM SLAT
19	1009	ALUMINIUM SLAT 20MM V2 (ML)
20	4018	RIGHT END CAP FOR BOTTOM PROFILE
21	1101	BOTTOM ALUMINIUM PROFILE (ML)
22	3127	CABLE CLAMP
23	1300	STANDARD SIDE TRACKS (ML)
24	3104	STEEL STIRUP WITH SCREW
25	3124-3125-3126	CABLE 1.5M-CABLE 2.5M-CABLE 3.0M
26		SPRING
27	4101	END CAP FOR BALANCER 89MM
28	3309	STAINLESS SCREW TCBL POZIDRIV 3.9X19
29	4105	FIX SPRING BRACKET FOR BALANCER 89MM
30	3103	ROUND CYLINDER TUBE FOR BALANCER 89MM
31	3107	FASTENER FOR ROUND CYLINDER TUBE 89MM